



# LFM16A



JOB NAME: \_\_\_\_\_  
 DATE: \_\_\_\_\_  
 TYPE: \_\_\_\_\_

## DESCRIPTION

Low voltage MR16 flood with die cast aluminum housing, integral glare shield and tempered lens. Sleek good looks with minimal size. Supplied with 36" SPT-1 cord for installation on low voltage systems. MR16 lamp, 50 watt max. Lamp not supplied.

## SPECIFICATIONS

### Housings:

Precision die cast aluminum

### Swivels:

1/2" NPS threaded arm with serrated locking swivel fits all standard mounting boxes. EZ Grip locknuts color matched to fixture.

### UL Listing:

Suitable for wet locations. Suitable for mounting within 4' of the ground.

### Patents:

RAB sensor and fixture designs are protected under U.S. and International Intellectual Property laws

### Lamp:

MR16 lamp, 50 watt max

### Sockets:

Bipin GU5.3 with 36" SPT-1 cord

### Voltage:

12

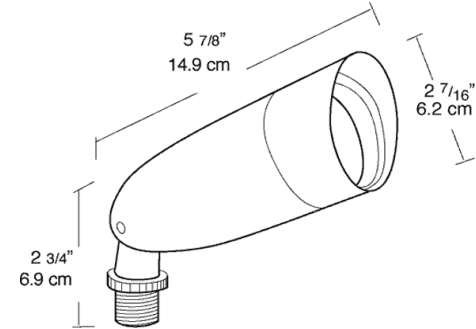
### Color:

Bronze

### Weight:

0.85

## DIMENSIONS



## ORDERING INFORMATION

Total Watts	Lamp Type	Lamp Base	Ballast	Starting Amps/ Operating Amps				Input Watts	LAMP ANSI	Initial Lumens	Lamp Hours
				120V	208V	240V	277V				
50	MR16	Bipin GU5.3	0	0	0	0	0	0	0	0	4000

### Factory Installed Options

Add suffix to Catalog Number

Note: Specifications may change without notice