



# LF20B



JOB NAME: \_\_\_\_\_  
 DATE: \_\_\_\_\_  
 TYPE: \_\_\_\_\_

## DESCRIPTION

Rugged die cast floodlight with heavy mounting arm, lens, glare shield and weatherproof silicone gasket. 75 watt max., accepts lamp types PAR16, PAR20 and R type. 120 volt Lamp not supplied.

## SPECIFICATIONS

### Housings:

Precision die cast aluminum

### Swivels:

1/2" NPS threaded arm with serrated locking swivel fits all standard mounting boxes. EZ Grip locknuts color matched to fixture.

### UL Listing:

Suitable for wet locations. Suitable for mounting within 4' of the ground.

### Patents:

RAB sensor and fixture designs are protected under U.S. and International Intellectual Property laws

### Sockets:

Medium base porcelain with all copper current carrying components and spring loaded center contact.

### Voltage:

120

### Watts:

75

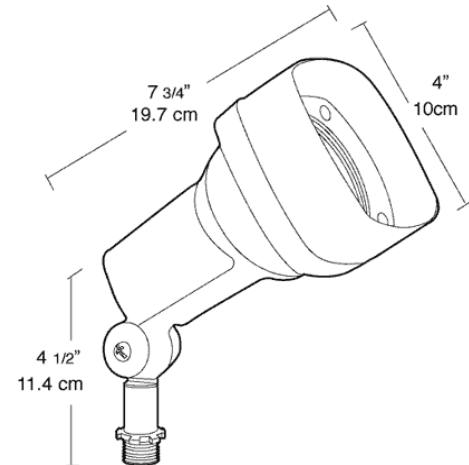
### Color:

Black

### Weight:

1.8

## DIMENSIONS



## ORDERING INFORMATION

| Total Watts | Lamp Type | Lamp Base | Ballast | Starting Amps/ Operating Amps |      |      |      | Input Watts | LAMP ANSI | Initial Lumens | Lamp Hours |
|-------------|-----------|-----------|---------|-------------------------------|------|------|------|-------------|-----------|----------------|------------|
|             |           |           |         | 120V                          | 208V | 240V | 277V |             |           |                |            |
| 75          | PAR20     | Medium    | 0       | 0                             | 0    | 0    | 0    | 0           | 0         | 550            | 2500       |

### Factory Installed Options

Add suffix to Catalog Number

Note: Specifications may change without notice