



LF20A



JOB NAME: _____
 DATE: _____
 TYPE: _____

DESCRIPTION

Rugged die cast floodlight with heavy mounting arm, lens, glare shield and weatherproof silicone gasket. 75 watt max., accepts lamp types PAR16, PAR20 and R type. 120 volt Lamp not supplied.

SPECIFICATIONS

Housings:

Precision die cast aluminum

Swivels:

1/2" NPS threaded arm with serrated locking swivel fits all standard mounting boxes. EZ Grip locknuts color matched to fixture.

UL Listing:

Suitable for wet locations. Suitable for mounting within 4' of the ground.

Patents:

RAB sensor and fixture designs are protected under U.S. and International Intellectual Property laws

Sockets:

Medium base porcelain with all copper current carrying components and spring loaded center contact.

Voltage:

120

Watts:

75

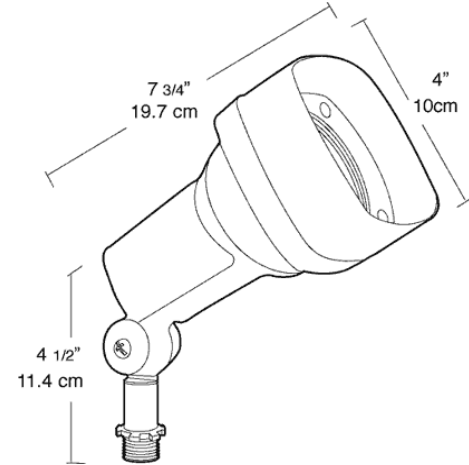
Color:

Bronze

Weight:

1.55

DIMENSIONS



ORDERING INFORMATION

Total Watts	Lamp Type	Lamp Base	Ballast	Starting Amps/ Operating Amps				Input Watts	LAMP ANSI	Initial Lumens	Lamp Hours
				120V	208V	240V	277V				
75	PAR20	Medium	0	0	0	0	0	0	0	550	2500

Factory Installed Options

Add suffix to Catalog Number

Note: Specifications may change without notice