



HV1B

JOB NAME: _____

DATE: _____

TYPE: _____

DESCRIPTION

Die cast aluminum visor with integral metal grill and tempered glass lens for maximum glare reduction and lamp protection. Guard protects lamp from damage and vandalism. Die cast aluminum.

SPECIFICATIONS

Guard:

Designed to fit the H101 and HB101

Material:

Die cast aluminum

Patents:

RAB sensor and fixture designs are protected under U.S. and International Intellectual Property laws

Stealth Accessory:

Guards also fit RAB's Stealth Bullet and Bell Flood Kits.

Visor:

Visor includes glass

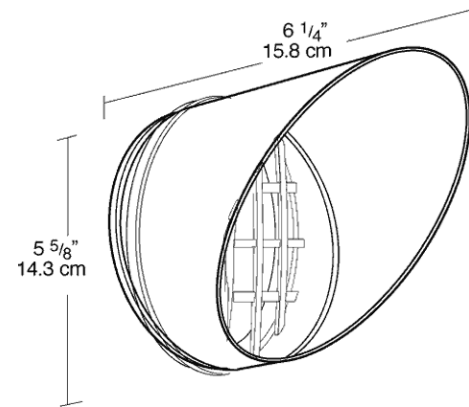
Color:

Black

Weight:

1.42

DIMENSIONS



Note: Specifications may change without notice