



HH1B



JOB NAME: _____

DATE: _____

TYPE: _____

DESCRIPTION

Hood with tempered glass lens reduces glare and protects lamp from water and impact damage. Die cast aluminum. Fits H101 and HB101. Can be combined with HG1 Guard.

SPECIFICATIONS

Guard:

Designed to fit the H101 and HB101. Can be combined with HG1 Guard

Lens:

Tempered glass lens included

Material:

Die cast aluminum

Color:

Black

Patents:

RAB sensor and fixture designs are protected under U.S. and International Intellectual Property laws

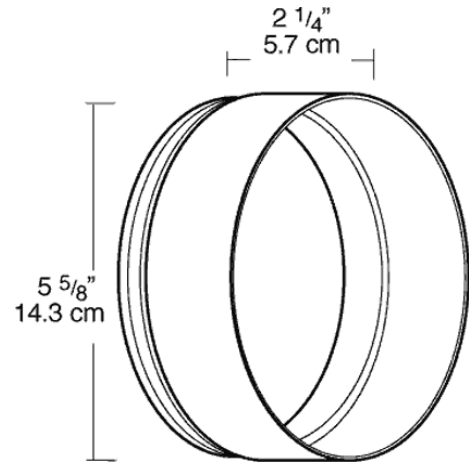
Stealth Accessory:

Guards also fit RAB's Stealth Bullet and Bell Flood Kits.

Weight:

0.9

DIMENSIONS



Note: Specifications may change without notice