



# HH1A



JOB NAME: \_\_\_\_\_

DATE: \_\_\_\_\_

TYPE: \_\_\_\_\_

## DESCRIPTION

Hood with tempered glass lens reduces glare and protects lamp from water and impact damage. Die cast aluminum. Fits H101 and HB101. Can be combined with HG1 Guard.

## SPECIFICATIONS

Designed to fit the H101 and HB101. Can be combined with HG1 Guard

**Lens:**

Tempered glass lens included

**Material:**

Die cast aluminum

**Color:**

Bronze

**Patents:**

RAB sensor and fixture designs are protected under U.S. and International Intellectual Property laws

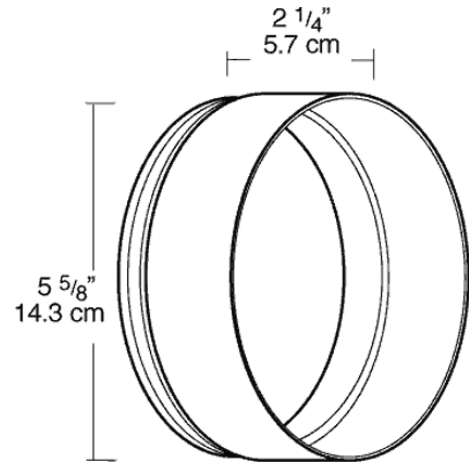
**Stealth Accessory:**

Guards also fit RAB's Stealth Bullet and Bell Flood Kits.

**Weight:**

0.84

## DIMENSIONS



Note: Specifications may change without notice