



HG1A

JOB NAME: _____

DATE: _____

TYPE: _____

DESCRIPTION

Guard protects lamp from damage and vandalism. Die cast aluminum. Fits both H101 and HB101. Can be combined with HH1 Hood or used alone.

SPECIFICATIONS

Guard:

Fits both H101 and HB101

Hood:

Can also be combined with HH1 Hood

Material:

Die cast aluminum. No glass with guard

Stealth Accessory:

Guard also fits RAB's Stealth Bullet and Bell Flood Kits.

Patents:

RAB sensor and fixture designs are protected under U.S. and International Intellectual Property laws.

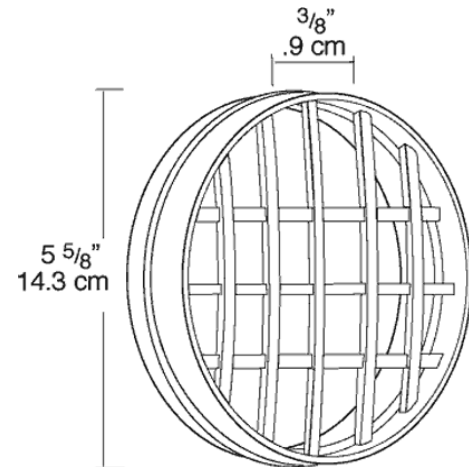
Color:

Bronze

Weight:

0.4

DIMENSIONS



Note: Specifications may change without notice