

RAB LIGHTING

BLED10W



JOB NAME: _____
 DATE: _____
 TYPE: _____

DESCRIPTION

42" high rectangular Bollard with 1 LED fixture for low level lighting applications. Great for pathway lighting! Lasts 50,000 hours. Meet IESNA Full Cutoff, Fully Shielded classification. 5 year warranty. LED Light Engine included.

SPECIFICATIONS

California Title 24:

BLED complies with California Title 24 building and electrical codes.

Finish:

White or Bronze chip and fade resistant polyester powder coat finish.

Gaskets:

High temperature silicone.

Green Technology:

BLEDs are Mercury and UV free.

Heatsink:

Cast aluminum thermal management system for optimal heat sinking. The BLED is designed for cool operation, most efficient output and maximum LED life by minimizing LED junction temperature.

Housing:

Precision die cast aluminum housing, lens frame.

IESNA LM-79:

LED luminaires comply with the IESNA LM-79 testing procedure, which measures performance qualities of LED luminaires to allow for a true comparison of luminaires regardless of the light source.

LED Light Engine:

Multi-chip 10W high output long life LED Driver: Constant Current, Class II, 120V-240V, 50/60 Hz, 350mA

Lumen Maintenance:

The LED will deliver 70% of its initial lumens at 50,000 hours of operation.

Mounting:

42" Bollard

UL Listing:

Suitable for wet locations. Suitable for mounting within 4' of the ground.

Warranty:

RAB LED fixtures give you peace of mind because both the fixture and light engine components are backed by RAB's 5 Year Warranty. For more information,

Color Accuracy:

92 CRI

Driver Reliability:

MIL Spec 217F results based on UL certified testing lab results in 122F ambient temperatures indicate mean time between failures of greater than 200,000 hrs

Fixture Efficacy:

41 Lumens per Watt

IESNA LM-79 & IESNA LM-80 Testing:

RAB LED luminaires have been tested by an independent laboratory in accordance with IESNA LM-79 and 80, and have received the Department of Energy "Lighting Facts" label.

Light Color:

5250 K (Daylight)

Patents:

The design of the BLED is protected by patents pending in Canada, U.S. Pat. D599,050 and Pat. D599,049, and patents pending in China and Taiwan

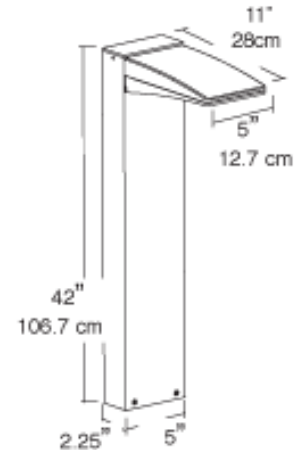
Color:

White

Weight:

11

DIMENSIONS



ORDERING INFORMATION

LED Lamp supplied with fixture	Total Watts	Lamp Type	Lamp Base	Ballast	Starting Amps/ Operating Amps				Input Watts	LAMP ANSI	Initial Lumens	Lamp Hours
					120V	208V	240V	277V				
	10	Light Emitting Diode	Therm Al Heatsink	Constant Current	.86 A/.86 A	.86 A/.86 A	.86 A/.86 A	N/A	13	N/A	547	50000
Factory Installed Options Add suffix to Catalog Number					Photocontrol for 277V (/PC2)							
					Photocontrol for 120V (/PC)							

Note: Specifications may change without notice