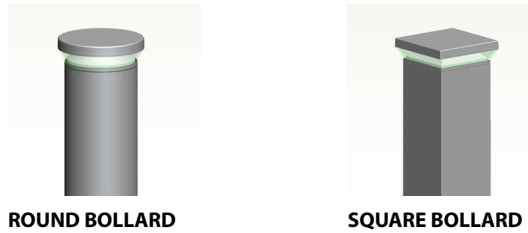


BOLLARD EMERGENCY INSTALLATION INSTRUCTIONS **RAB** LIGHTING

Thank you for buying RAB lighting fixtures. Our goal is to design the best quality products to get the job done right. We'd like to hear your comments. Call the Marketing Department at 888-RAB-1000 or email: marketing@rabweb.com



IMPORTANT

READ CAREFULLY BEFORE INSTALLING FIXTURE. RETAIN THESE INSTRUCTIONS FOR FUTURE REFERENCE.

RAB fixtures must be wired in accordance with the National Electrical Code and all applicable local codes. Proper grounding is required for safety. THIS PRODUCT MUST BE INSTALLED IN ACCORDANCE WITH THE APPLICABLE INSTALLATION CODE BY A PERSON FAMILIAR WITH THE CONSTRUCTION AND OPERATION OF THE PRODUCT AND THE HAZARDS INVOLVED.

WARNING: Make certain power is OFF before installing or maintaining fixture. No user serviceable parts inside.

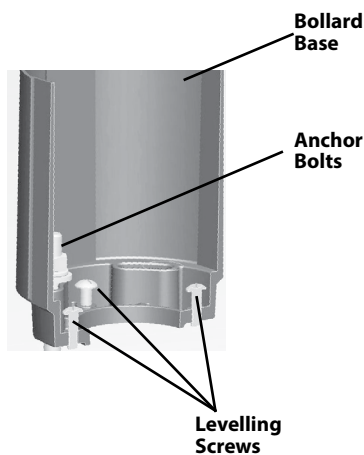
LOCATION

CAUTION: Before mounting, make sure to align Bollard Base in the orientation that will result in the desired Bollard Fixture orientation.

1. The **Bollard** should be mounted to a firm level surface.
2. **Anchor bolts** may be used in new concrete installations. Use the template provided.
3. For all other applications use anchors suitable for the mounting surface.

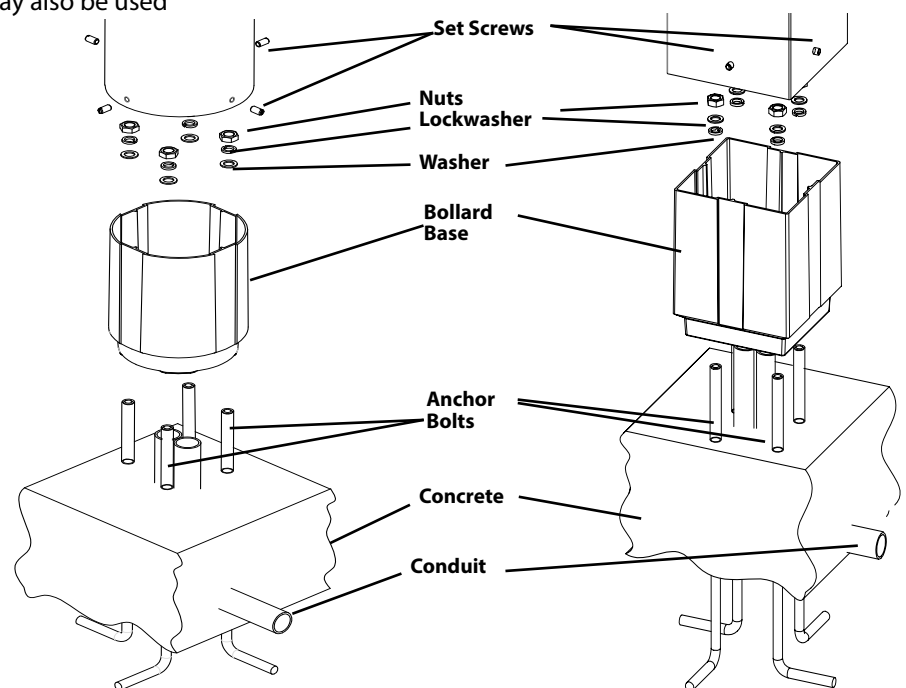
ANCHOR BOLTS INSTALLATION

CAUTION: Install according to all applicable local codes. Install four **Anchor Bolts** in concrete foundation (by others) using the template provided. **Bollard Base** may also be used as the template.



BOLLARD BASE

1. Place the **Bollard Base** over **Anchor Bolts**.
2. Loosely tighten the **Washers, Lock washers and Nuts** provided. Level the **Bollard Base** with provided **Leveling screws**. Tighten all nuts and screws.
3. Be sure supply leads extend far enough to make fixture connections. Make the wiring connections with UL approved connectors.
4. Slide the Bollard over on **Bollard Base** lined up with the grooves. Be sure to check the LED position on the Bollard.
5. Use the four set screws to secure the **Bollard** to the **Bollard Base**.



BOLLARD EMERGENCY INSTALLATION INSTRUCTIONS **RAB** LIGHTING

Thank you for buying RAB lighting fixtures. Our goal is to design the best quality products to get the job done right. We'd like to hear your comments. Call the Marketing Department at 888-RAB-1000 or email: marketing@rabweb.com

CLEANING & MAINTENANCE

CAUTION: Be sure fixture temperature is cool enough to touch. Do not clean or maintain while fixture is energized.

1. Clean lens with non-abrasive cleaning solution
2. Do not open fixture to clean the LED.

TROUBLESHOOTING

1. Check that the line voltage at fixture is correct. Refer to wiring directions.
2. Is the fixture grounded properly?

ACCESSORIES

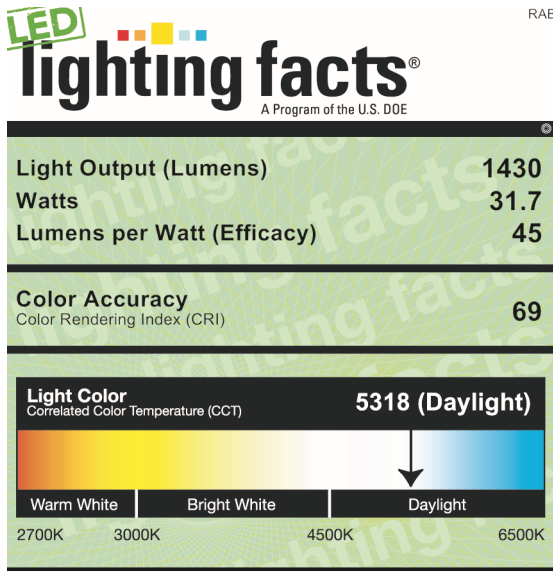
Bollard base Retro kit: BOLBASE24 RETRO

Suffix "Y" = Warm 3000K LED
Suffix "N" = Neutral 4000K LED,

WIRING

1. Unscrew the set screw and remove the Head from Bollard.
2. Wire the fixture to the incoming supply wires according to NEC and local codes. Use UL listed wire connectors.
3. For BLED*/E, each battery unit has one connector. For BLED*/EC, each battery unit has two connectors as shown below. For details refer to the appropriate Wiring Diagram section and supplied Instruction Sheet.
4. Connect the battery connectors. **DO NOT** connect the **Batteries** before wiring the fixture to the supply.

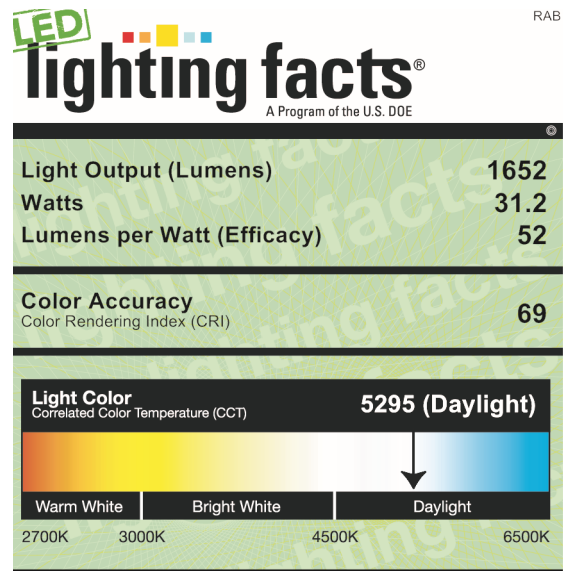
BLED24 Square Bollard 24W Cool LED



All results are according to IESNA LM-79-2008: *Approved Method for the Electrical and Photometric Testing of Solid-State Lighting*. The U.S. Department of Energy (DOE) verifies product test data and results.

Visit www.lightingfacts.com for the *Label Reference Guide*.

BLEDR24 Round Bollard 24W Cool LED



All results are according to IESNA LM-79-2008: *Approved Method for the Electrical and Photometric Testing of Solid-State Lighting*. The U.S. Department of Energy (DOE) verifies product test data and results.

Visit www.lightingfacts.com for the *Label Reference Guide*.

BOLLARD Round: US pat. D675,766, CA Pat. pending, CN ZL201230350184.6, MX pat. pending, TX: pat.pending
BOLLARD Square: US pat. D675,767, CA Pat. pending, CN ZL201230350185.0, MX pat. pending, TX: pat.pending

Note: These instructions do not cover all details or variations in equipment nor do they provide for every possible situation during installation, operation or maintenance.



Easy Installation & Product Help

Tech Help Line
 Call our experts 888 RAB-1000

rabweb.com
 Visit our website for product info

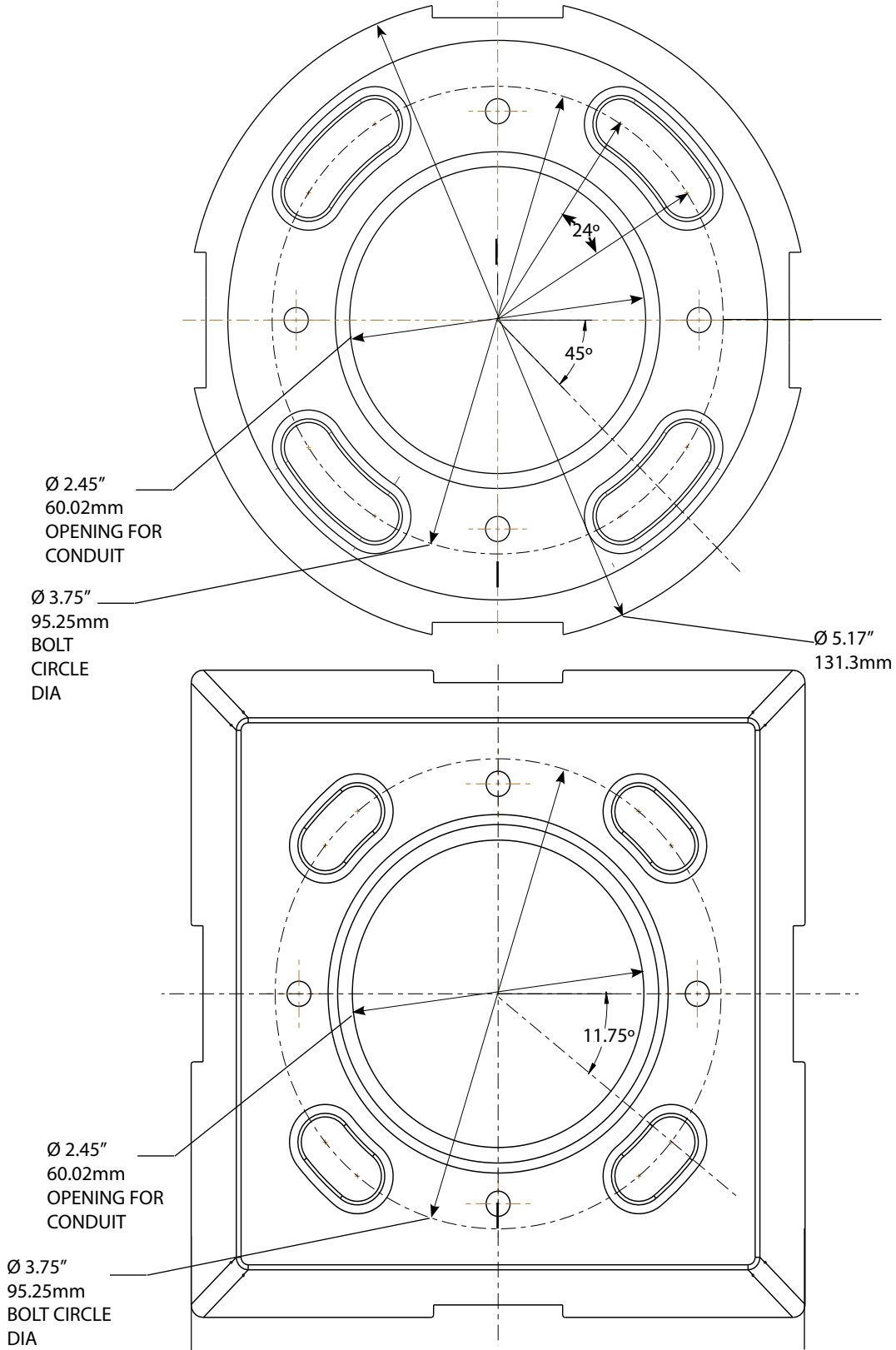
email
 Answered promptly sales@rabweb.com

BOLLARD EMERGENCY INSTALLATION INSTRUCTIONS **RAB** LIGHTING

Thank you for buying RAB lighting fixtures. Our goal is to design the best quality products to get the job done right. We'd like to hear your comments. Call the Marketing Department at 888-RAB-1000 or email: marketing@rabweb.com

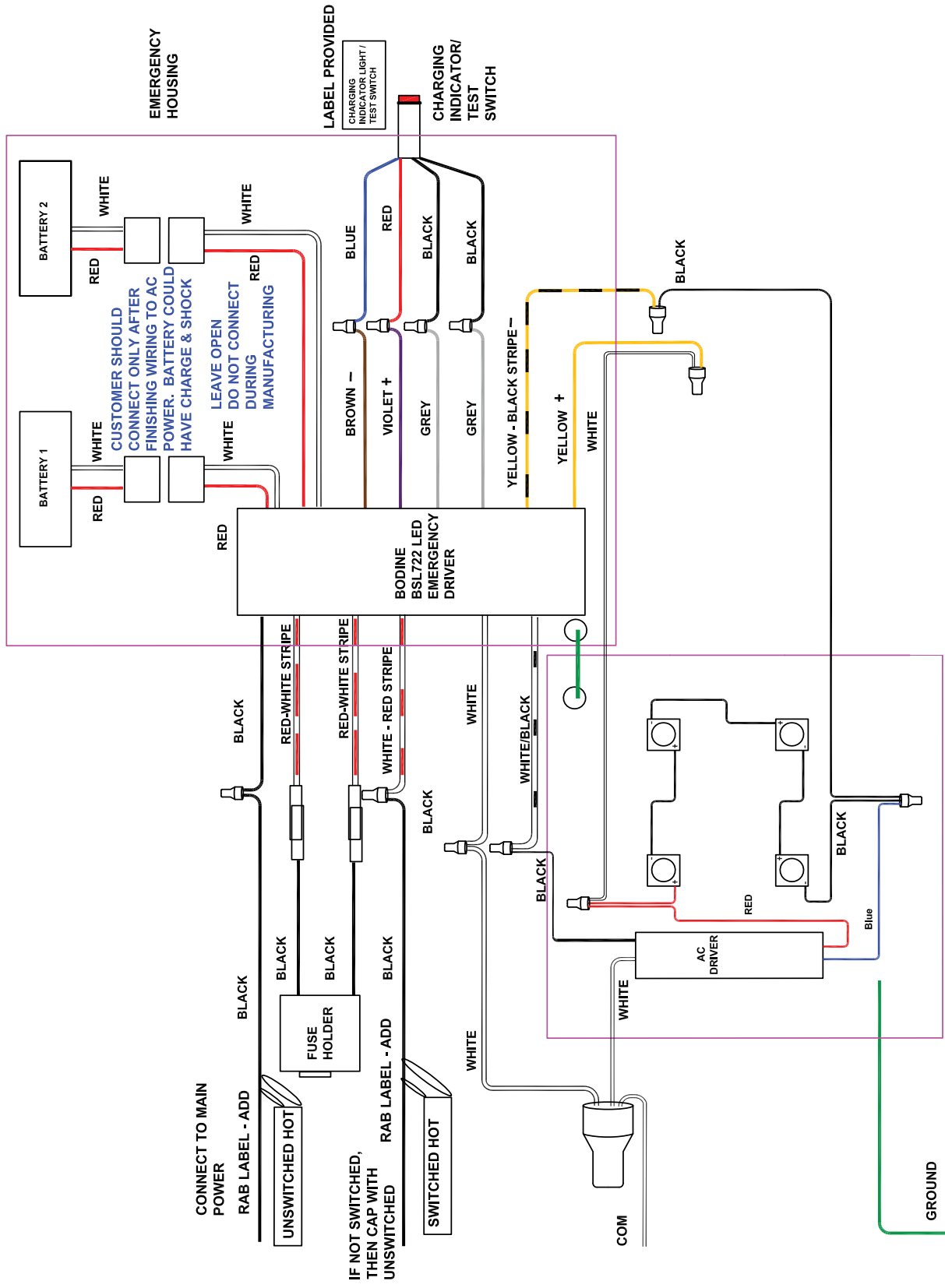
ANCHOR BOLT TEMPLATE FOR BLED BOLLARD

Drawing not to scale. Use the actual mounting plate as your template.



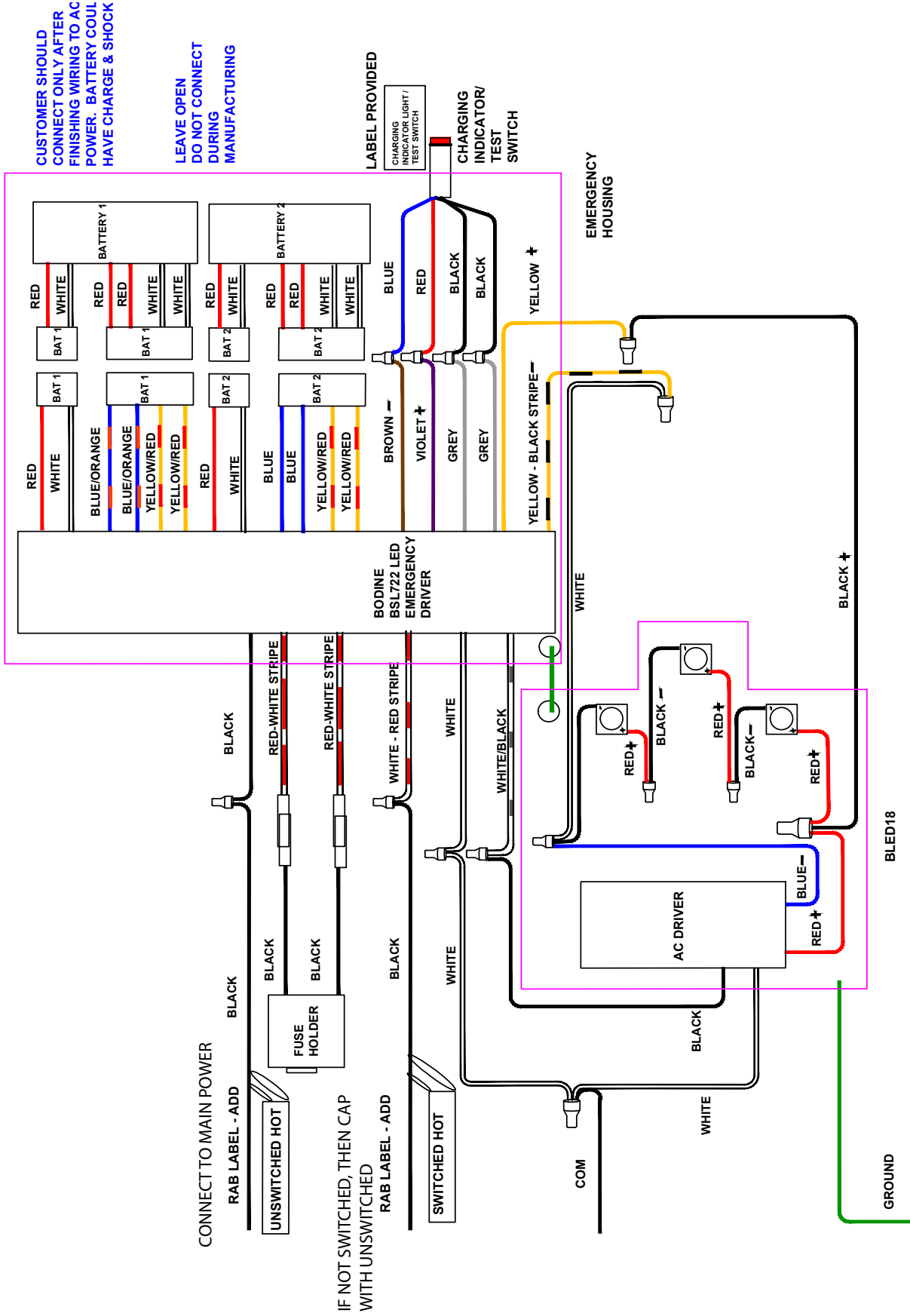
WIRING DIAGRAM for EMERGENCY OPERATION at 120V-277V

BLEDR24/E and BLEDR24/E



WIRING DIAGRAM for EMERGENCY OPERATION at 120V-277V

BLED18/EC and BLEDR18/EC



CUSTOMER SHOULD
CONNECT ONLY AFTER
FINISHING WIRING TO AC
POWER. BATTERY COUL
HAVE CHARGE & SHOCK

LEAVE OPEN
DO NOT CONNECT
DURING
MANUFACTURING

LABEL PROVIDED