

INCANDESCENT H SYSTEM FLOODS

A system of interchangeable Floodlights, Hoods, Guards & Visors.



Rugged die cast aluminum housing with powder coat finish

Lamp recessed 1" from lip for side glare reduction

Larger diameter housing for easier relamping



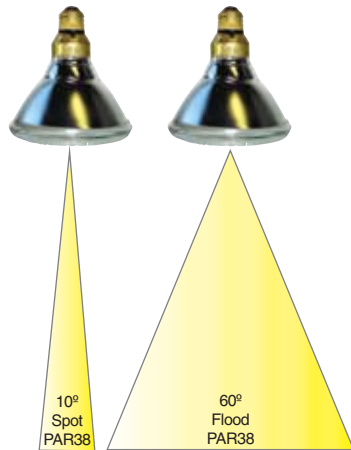
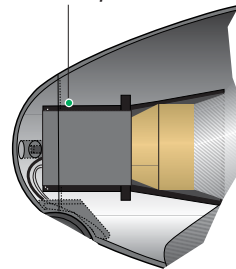
Set screw for hood, grill or visor attachment

Heavy duty mounting arm with internal O-ring, locking teeth, and stainless steel screw

EZ Grip locknut matches fixture finish and can be adjusted with fingers, pliers or a screwdriver



Large Silicone rubber gasket provides weatherproof protection around lamp and socket



Lamps offer a variety of beam spread choices. See page 128.

HV Visor with integral guard and glass lens for maximum glare reduction and lamp protection



HG Guard: Protects lamp from damage and vandalism

HH Hood with glass lens reduces glare and protects lamp from water and impact damage

H101 Bell

Large size flood for easier relamping and glare reduction. Durable one piece die casting with rugged mounting arm, weatherproof gasket and drain holes. Accepts 150 watt PAR 38 max. Lamp not supplied.

Finish: ● Bronze
● Black
○ White
● Verde Green



H2 Dual Flood Kit



Kit includes 2 H101 Bell floodlights pre-assembled on a CU4 universal mounting plate



Catalog Numbers

Bronze	Black	White	Verde Green
Floodlight only: H101A	H101B	H101W	H101VG
Dual Floodlight Kit: H2A	H2B	H2W	H2VG

Specifications

UL Listing:

Suitable for wet locations. Suitable for mounting within 4' of the ground. Can be aimed above horizontal with accessory hood or visor

Sockets:

Porcelain with all copper current carrying components

Compatibility with old H100:

H101 floods and accessories replace the discontinued RAB H100 and accessories. Parts are not interchangeable.

Swivels:

Fully adjustable with sure-grip locks. 1/2" NPS threaded arm with serrated locking swivel fits all standard mounting covers. Color matched EZ Grip lock nuts. Stainless steel screw.

Housings:

Die cast aluminum with powder coat finish

Lamps:

Medium base PAR-38 lamps up to 150 watts. Halogen lamps give brighter light and choice of beam spreads. See pg. 128

Gaskets:

High temperature silicone rubber extends around both socket and lamp.

Gaskets:

High temperature silicone rubber extends around both socket and lamp.

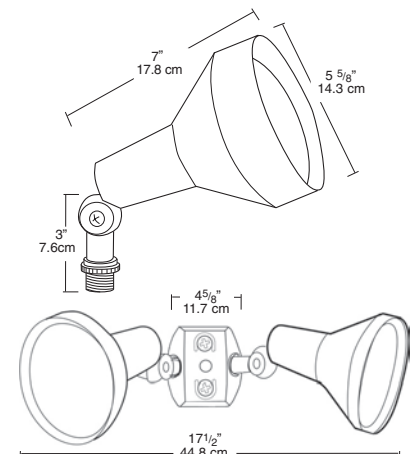
Patents:

The designs of RAB fixtures are protected under U.S. and international intellectual property laws.



www.rabweb.com
Wiring Diagrams
Installation Instructions
Product Specifications

Dimensions



HB101 Bullet

Bullet design with large glare shield for effective light control. Durable one piece die cast with rugged mounting arm, weatherproof gasket and drain holes. Accepts 150 watt PAR 38 max. Lamp not supplied.

- Finish:
- Bronze
 - Black
 - White
 - Verde Green



HB2 Dual Flood Kit



Kit includes 2 HB101 Bullet floodlights pre-assembled on a CU4 universal mounting plate



Bronze	Black	White	Verde Green
HB101A	HB101B	HB101W	HB101VG
HB2A	HB2B	HB2W	H2BVG

HH Hood

Hood with tempered glass lens reduces glare and protects lamp from water and impact damage. Die cast aluminum. Fits H101 and HB101. Can be combined with HG1 Guard.

- Finish:
- Bronze
 - Black
 - White
 - Verde Green



Hood includes glass



HB101 with HH1 Hood



H101 with HH1 Hood

Bronze	Black	White	Verde Green
HH1A	HH1B	HH1W	HH1VG

HG Guard

Guard protects lamp from damage and vandalism. Die cast aluminum. Fits both H101 and HB101. Can be combined with HH1 Hood or used alone.

- Finish:
- Bronze
 - Black
 - White
 - Verde Green



No glass with guard



HB101 with HG1 Guard



H101 with HG1 Guard

Bronze	Black	White	Verde Green
HG1A	HG1B	HG1W	HG1VG

HV Visor

Die cast aluminum visor with integral metal grill and tempered glass lens for maximum glare reduction and lamp protection.

- Finish:
- Bronze
 - Black
 - White
 - Verde Green



Visor includes glass & guard



HB101 with HV Visor



H101 with HV Visor

Bronze	Black	White	Verde Green
HV1A	HV1B	HV1W	HV1VG

