

EVMS & EVMD

Cable Management System

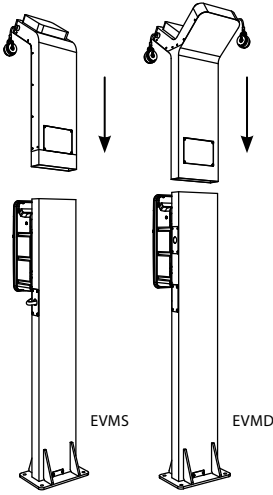
INSTALLATION INSTRUCTIONS

RAB[®]

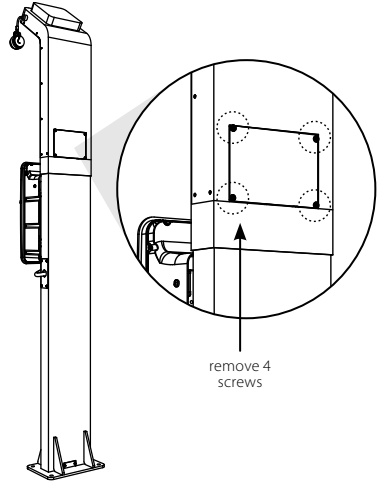
Setup & Installation

① Install cable management

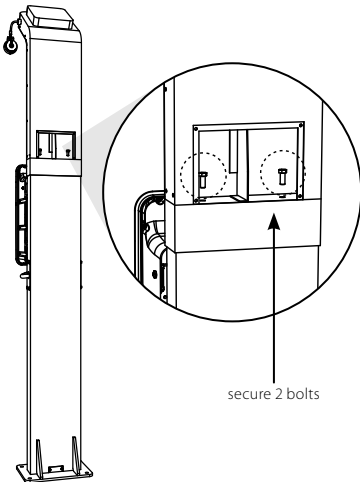
① Mount cable management pedestal attachment on top of pedestal.



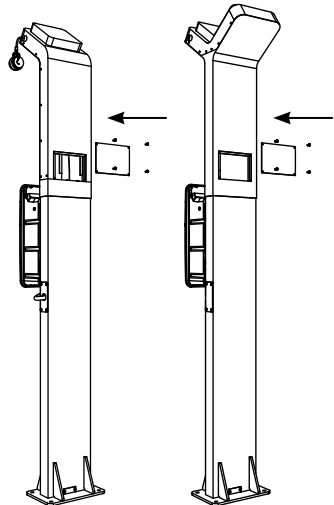
② Remove 4 pcs M4*8L screws for the back cover.



③ Lock 2 pcs M8*20L screws.

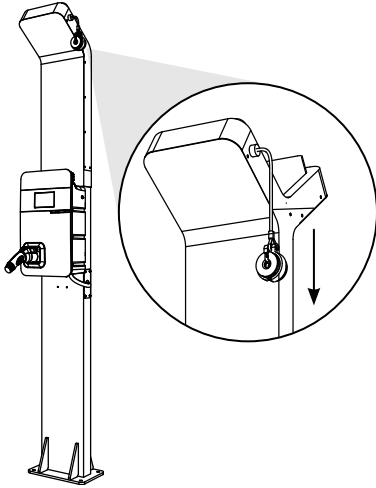


④ Screw cover back to pedestal.

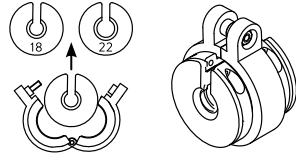


2 Install the cable retractor ring

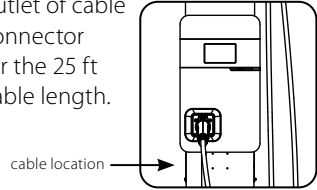
- 1 Pull down cable retractor ring so that it remains in a fixed position next to the charger location.



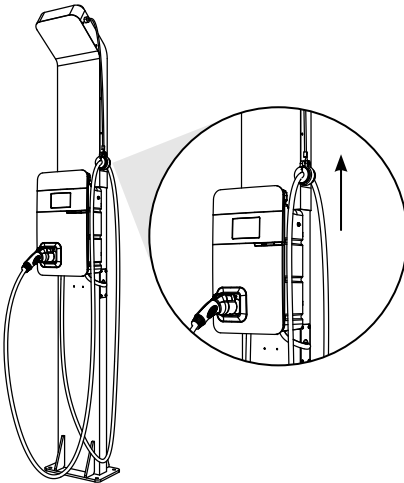
- 2 a. Refer to cable outer diameter to select appropriate inner ring (*D18* or *D22*) for cable clip.



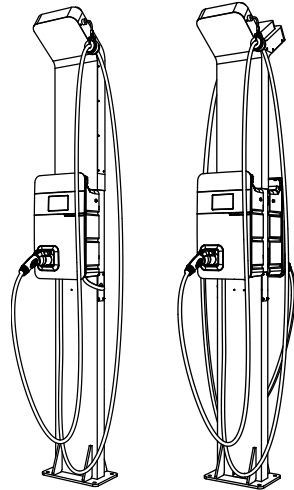
- b. Lock the cable retractor ring 8.2 ft away from the outlet of cable connector for the 16.4 ftm cable length, 11.5 ft away from the outlet of cable connector for the 25 ft cable length.



- 3 Tighten the cable retractor ring's hardware, and pull once to retract cable back to its default position.



- 4 Insert EV plug back to the holder.



Technical Support:
(888) 728-4094

RAB[®]

© 2023 RAB Lighting Inc.