



18 Watt LED wall sconce. Die-cast aluminum wall bracket with five 1/2" conduit openings with plugs.

Color: White

Weight: 11.4 lbs

Project:	Type:
Prepared By:	Date:

Driver Info		LED Info	
Type:	Constant Current	Watts:	18W
120V:	N/A	Color Temp:	4000K (Neutral)
208V:	0.18A	Color Accuracy:	87 CRI
240V:	0.15A	L70 Lifespan:	100,000
277V:	0.12A	LM79 Lumens:	922
Input Watts:	22W	Efficacy:	42 LPW
Efficiency:	81%		

Technical Specifications

Other

WBLEDR18 with Photocell:

277V Swivel Photocell Included. Photocell is compatible with 208V-277V.

LEDs:

6W multi-chip, long-life LEDs

IESNA LM-79 & IESNA LM-80 Testing:

RAB LED fixtures have been tested by an independent laboratory in accordance with IESNA LM-79 and 80, and have received the Department of Energy "Lighting Facts" label.

Warranty:

RAB warrants that our LED products will be free from defects in materials and workmanship for a period of five (5) years from the date of delivery to the end user, including coverage of light output, color stability, driver performance and fixture finish.

Country of Origin:

Designed by RAB in New Jersey and assembled in the USA by RAB's IBEW Local 3 workers.

Buy American Act Compliant:

This product is a COTS item manufactured in the United States, and is compliant with the Buy American Act.

Recovery Act (ARRA) Compliant:

This product complies with the 52.225-21 "Required Use of American Iron, Steel, and Manufactured Goods -- Buy American Act -- Construction Materials (October 2010).

Trade Agreements Act Compliant:

This product is a COTS item manufactured in the United States, and is compliant with the Trade Agreements Act.

GSA Schedule:

Suitable in accordance with FAR Subpart 25.4.

Listings

UL Listing:

Suitable for wet locations. Suitable for mounting within 4 ft. (1.2m) of the ground.

LED Characteristics

Lifespan:

100,000-hour LED lifespan based on IES LM-80 results and TM-21 calculations

Color Consistency:

3-step MacAdam Ellipse binning to achieve consistent fixture-to-fixture color.

Color Stability:

LED color temperature is warranted to shift no more than 200K in CCT over a 5 year period.

Color Uniformity:

RAB's range of CCT (Correlated Color Temperature) follows the guidelines of the American National Standard for Specifications for the Chromaticity of Solid State Lighting (SSL) Products, ANSI C78.377-2011

Electrical

Driver:

Constant Current, Class 2, 100-277V, 50/60 Hz, 6kV Surge Protection, 700mA, 100-277VAC 0.04 A.

Custom

THD:

16.6% at 120V

California Title 24:

WBLEDR18/PCS2 complies with 2013 California Title 24 building and electrical codes as a commercial outdoor non-pole-mounted fixture < 30 Watts.

Patents:

The design of WBLEDR is protected by patents pending in US, Canada, China, Taiwan and Mexico.

Construction

Ambient Temperature:

Suitable for use in 40°C (104°F) ambient temperatures

Cold Weather Starting:

Minimum starting temperature is -40°F/-40°C

Thermal Management:

Cast aluminum Thermal Management system for optimal heat sinking. The BLEDR is designed for cool operation, maximum efficiency and long life by minimizing LED junction temperature.

Housing:

Die-cast aluminum with extruded aluminum bollard shaft

Lens:

Clear, vandal-resistant polycarbonate

Reflector:

Specular polycarbonate

Gaskets:

High-temperature silicone gaskets seal out moisture gaskets seal out moisture

Mounting:

Die-cast aluminum wall bracket with five (5) 1/2" conduit openings with plugs

Technical Specifications (continued)

Construction

Gaskets:

High-temperature silicone gaskets seal out moisture

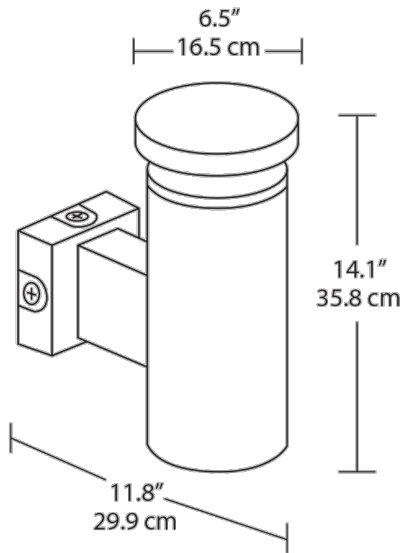
Finish:

Our environmentally friendly polyester powder coatings are formulated for high-durability and long-lasting color, and contain no VOC or toxic heavy metals.

Green Technology:

Mercury and UV free, and RoHS compliant. Polyester powder coat finish formulated without the use of VOC or toxic heavy metals.

Dimensions



Features

- 18 Watt LED architectural wall sconce
- Companion fixture to RAB BLED Bollard
- Durable construction and vandal-resistant polycarbonate lens
- 100,000-hour LED lifespan

Ordering Matrix

Shape	Watts	Color Temp	Finish
Blank = Square R = Round	18 = 18W	Blank = Cool Y = Warm N = Neutral	Blank = Architectural Bronze W = White