



18 Watt LED wall sconce. Die-cast aluminum wall bracket with five 1/2" conduit openings with plugs.

Color: White

Weight: 13.1 lbs

<b>Project:</b>	<b>Type:</b>
<b>Prepared By:</b>	<b>Date:</b>

Driver Info		LED Info	
Type:	Constant Current	Watts:	18W
120V:	0.24A	Color Temp:	4000K (Neutral)
208V:	N/A	Color Accuracy:	85 CRI
240V:	N/A	L70 Lifespan:	100,000
277V:	N/A	LM79 Lumens:	818
Input Watts:	22W	Efficacy:	37 LPW
Efficiency:	82%		

## Technical Specifications

### Other

#### WBLED18 with Photocell:

120V Swivel Photocell Included. Photocell is only compatible with 120V.

#### LEDs:

6W multi-chip, long-life LEDs

#### IESNA LM-79 & IESNA LM-80 Testing:

RAB LED fixtures have been tested by an independent laboratory in accordance with IESNA LM-79 and 80, and have received the Department of Energy "Lighting Facts" label.

#### Warranty:

RAB warrants that our LED products will be free from defects in materials and workmanship for a period of five (5) years from the date of delivery to the end user, including coverage of light output, color stability, driver performance and fixture finish.

#### Country of Origin:

Designed by RAB in New Jersey and assembled in the USA by RAB's IBEW Local 3 workers.

#### Buy American Act Compliant:

This product is a COTS item manufactured in the United States, and is compliant with the Buy American Act.

#### Recovery Act (ARRA) Compliant:

This product complies with the 52.225-21 "Required Use of American Iron, Steel, and Manufactured Goods -- Buy American Act -- Construction Materials (October 2010).

#### Trade Agreements Act Compliant:

This product is a COTS item manufactured in the United States, and is compliant with the Trade Agreements Act.

#### GSA Schedule:

Suitable in accordance with FAR Subpart 25.4.

### Listings

#### UL Listing:

Suitable for wet locations. Suitable for mounting within 4 ft. (1.2m) of the ground.

#### LED Characteristics

#### Lifespan:

100,000-hour LED lifespan based on IES LM-80 results and TM-21 calculations

#### Color Consistency:

3-step MacAdam Ellipse binning to achieve consistent fixture-to-fixture color.

#### Color Stability:

LED color temperature is warranted to shift no more than 200K in CCT over a 5 year period.

#### Color Uniformity:

RAB's range of CCT (Correlated Color Temperature) follows the guidelines of the American National Standard for Specifications for the Chromaticity of Solid State Lighting (SSL) Products, ANSI C78.377-2011

#### Electrical

#### Driver:

Constant Current, Class 2, 100-277V, 50/60 Hz, 6kV Surge Protection, 700mA, 100-277VAC 0.04 A.

#### Custom

#### THD:

16.3% at 120V, 23.2% at 277V

#### California Title 24:

WBLED18/PCS complies with 2013 California Title 24 building and electrical codes as a commercial outdoor non-pole-mounted fixture < 30 Watts.

#### Patents:

The design of WBLED is protected by patents pending in US, Canada, China, Taiwan and Mexico.

### Construction

#### Ambient Temperature:

Suitable for use in 40°C (104°F) ambient temperatures

#### Cold Weather Starting:

Minimum starting temperature is -40°F/-40°C

#### Thermal Management:

Cast aluminum Thermal Management system for optimal heat sinking. The BLED is designed for cool operation, maximum efficiency and long life by minimizing LED junction temperature.

#### Housing:

Die-cast aluminum with extruded aluminum bollard shaft

#### Lens:

Clear, vandal-resistant polycarbonate

#### Reflector:

Specular polycarbonate

#### Gaskets:

High-temperature silicone gaskets seal out moisture gaskets seal out moisture

#### Mounting:

Die-cast aluminum wall bracket with five (5) 1/2" conduit openings with plugs

## Technical Specifications (continued)

### Construction

#### Gaskets:

High-temperature silicone gaskets seal out moisture

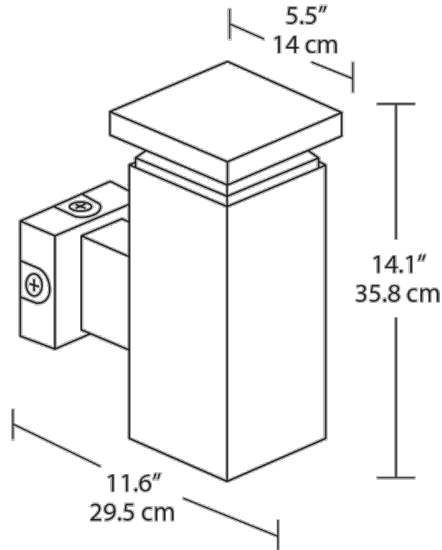
### Finish:

Our environmentally friendly polyester powder coatings are formulated for high-durability and long-lasting color, and contain no VOC or toxic heavy metals.

### Green Technology:

Mercury and UV free, and RoHS compliant. Polyester powder coat finish formulated without the use of VOC or toxic heavy metals.

## Dimensions



## Features

- 18 Watt LED architectural wall sconce
- Companion fixture to RAB BLED Bollard
- Durable construction and vandal-resistant polycarbonate lens
- 100,000-hour LED lifespan

## Ordering Matrix

Shape	Watts	Color Temp	Finish
Blank = Square R = Round	18 = 18W	Blank = Cool Y = Warm N = Neutral	Blank = Architectural Bronze W = White