



The Lightcloud Twist brings the power of Lightcloud to roadway lighting, boasting GPS location reporting, pole-damage detection, 0-10V dimming and more.

Color: Black

Weight: 0.4 lbs

Project:	Type:
Prepared By:	Date:

Technical Specifications

Product Details

Application:

Roadway fixtures

Mounting Type:

ANSI C136.10/C136.41 Receptacle

Compliance

IP Rating:

Ingress protection rating of IP65 for dust and water

Construction

Operating Temperature Range:

-40°C - 70°C

Electrical

Input:

120-277VAC, 50/60Hz

Load Switching Capacity:

5A @ 120VAC, Electronic Ballast

5A @ 277VAC, Electronic Ballast

Dimming Circuit: 50mA @10VDC

Connection Type:

ANSI C136.10/C136.41 Receptacle

Wireless Range

Line of Sight:

1,000 feet

Obstructions:

100 feet

Other

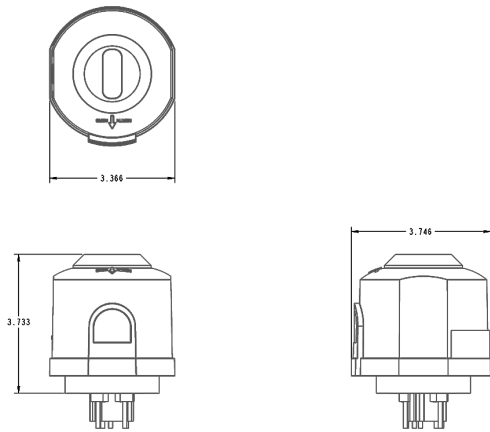
Warranty:

10-year full hardware warranty with 100% repair/replacement coverage for all properly installed devices. [See Lightcloud Warranty Terms.](#)

Buy American Act Compliance:

RAB values USA manufacturing! Upon request, RAB may be able to manufacture this product to be compliant with the Buy American Act (BAA). Please contact customer service to request a quote for the product to be made BAA compliant.

Dimensions



Features

- Advanced daylight sensing
- GPS location reporting
- 0-10V dimming
- Pole-damage detection
- Utility-grade energy metering
- Remote control and setup from Lightcloud Web App
- Communicates over secure wireless mesh network - no internet required

Ordering Matrix

Family	Finish
LCTWIST	/K

/K = Black