



The Lightcloud Dimmer is an in-wall device that delivers remote switching, dimming and scene control. Easily trigger one of your scenes, or toggle between multiple scenes.

Color: White

Weight: 0.2 lbs

Project:	Type:
Prepared By:	Date:

Technical Specifications

Listings

UL Listing:

Indoor use only.

DLC Listed:

This product is on the Design Lights Consortium (DLC) Qualified Products List and is eligible for rebates from DLC Member Utilities.

Electrical

Input Voltage:

120-277 VAC

Frequencies:

50/60 Hz

Current Draw:

14 mA @ 120VAC

10 mA @ 277VAC

Construction

Operating Temperature Range:

0°C to 40°C

Storage Temperature Range:

-40°C to 85°C

Maximum Relative Humidity:

85%

Wire Gauge:

18AWG grounding; terminals supporting up to 12AWG wire

Wireless Range

Line of Sight:

1000 feet

Obstructions:

100 feet

Other

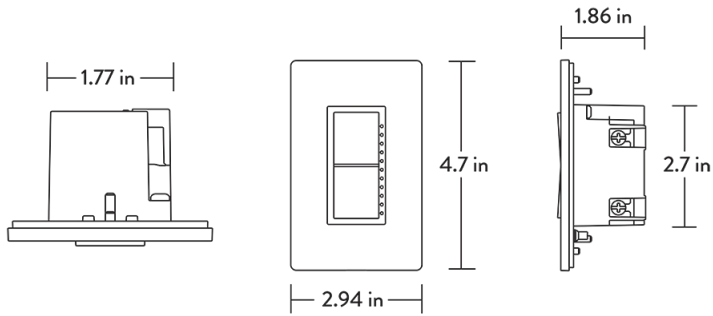
Warranty:

10-year full hardware warranty with 100% repair/replacement coverage for all properly installed devices.

Country of Origin:

Designed by RAB in New Jersey and assembled in China.

Dimensions



Features

- In-wall device for switching, dimming and scene control
- Switch and dim individual fixtures or entire zones
- Dimming features both fade on/off and rapid full-on
- Assign scenes to top and/or bottom buttons
- Set the max trim level for a zone or fixture to save energy
- Use together with Lightcloud Controller or Ceiling Sensor devices