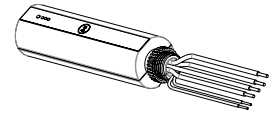


Contents

Lightcloud Controller



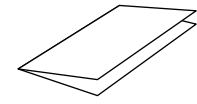
NPT Nut



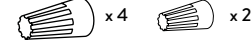
O-ring



Instruction Manual



Wire Nuts



Specifications

PART NUMBER
LCCONTROL20/D10

INPUT
120-277VAC, 50/60Hz

IDLE
1.2W; Relay Closed: 2.5W

MAXIMUM SWITCHED LOAD RATINGS
120VAC/15A Tungsten, Magnetic, Electronic
277VAC/20A Tungsten, Magnetic, Electronic
120VAC/1HP, 240VAC/2HP

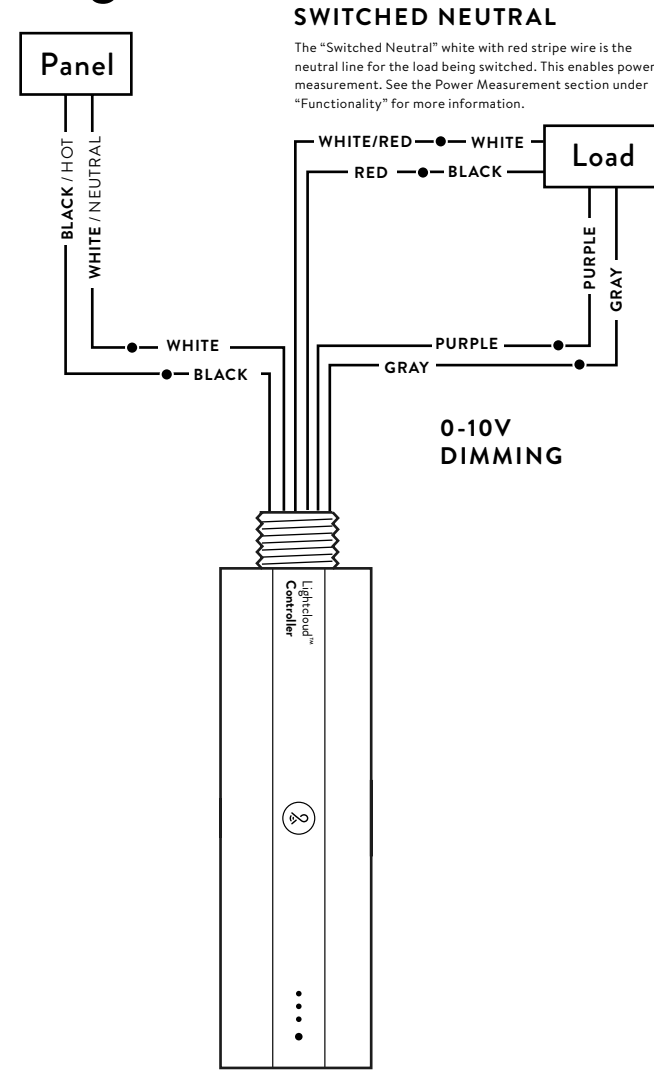
OPERATING TEMPERATURE
-40°C to +40°C

OVERALL DIMENSIONS
1.55" diameter, 5.75" length
1/2" NPT Mount, Male
16AWG pigtails

WIRELESS RANGE
Outdoor / Line-of-Sight: Up to 1 mile
Indoor / Obstructions: Up to 300'

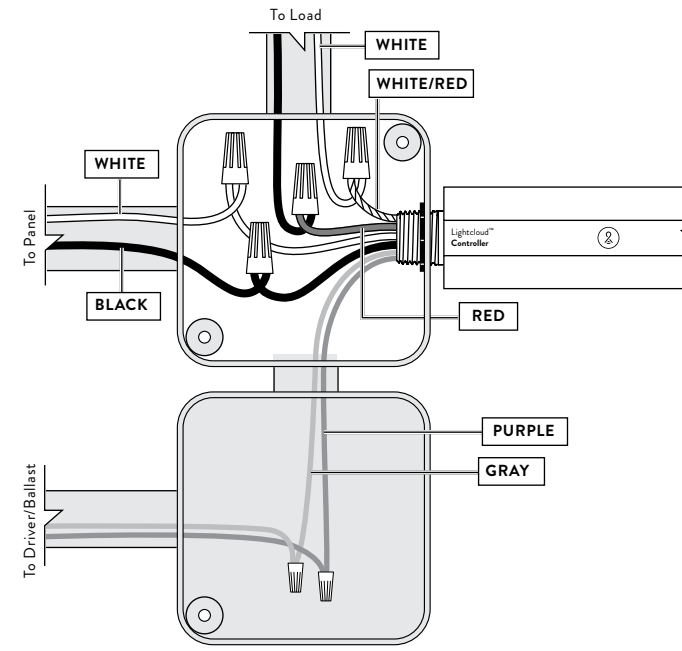
Warranty is active as long as service plan is active
Class 2
IP66 Rated
Indoor and Outdoor Rated
Plenum Rated

Wiring



2 Install your Lightcloud Controller

2a Install at a Junction Box (Indoor/Outdoor)

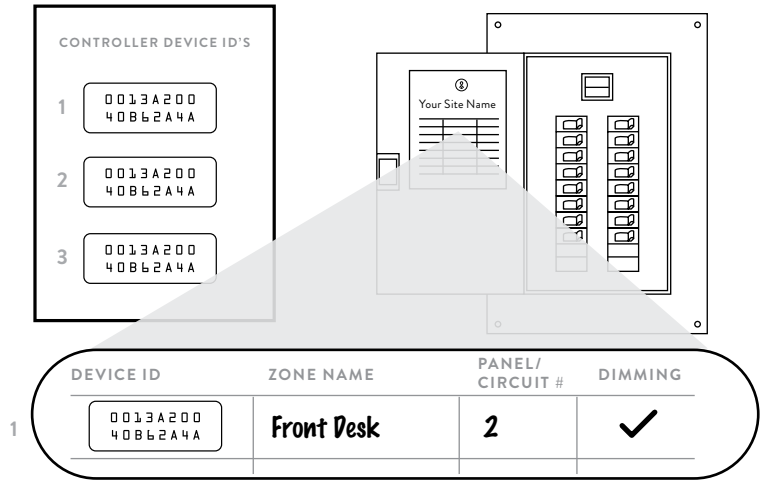


0-10V DIMMING

0-10V is a common method of low-voltage control of dimmable drivers and ballasts. **Purple:** 0-10V positive | **Gray:** 0-10V common

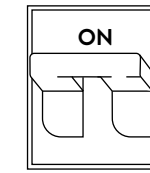
NOTE: The National Electrical Code requires that low-voltage wiring used in the same enclosure as high-voltage wiring have an equal or better insulation rating. You may need to complete your low-voltage wiring in another enclosure or use a partition.

3 Labeling your device



For setup and maintenance, we provide two Lightcloud Device Tables with the Gateway: one that you can attach to your panel and one to hand off to a building manager. Attach the Device Identification stickers included with each device to a row, then write in additional information, such as Zone name, Panel/Circuit Number, and whether or not a zone uses dimming.

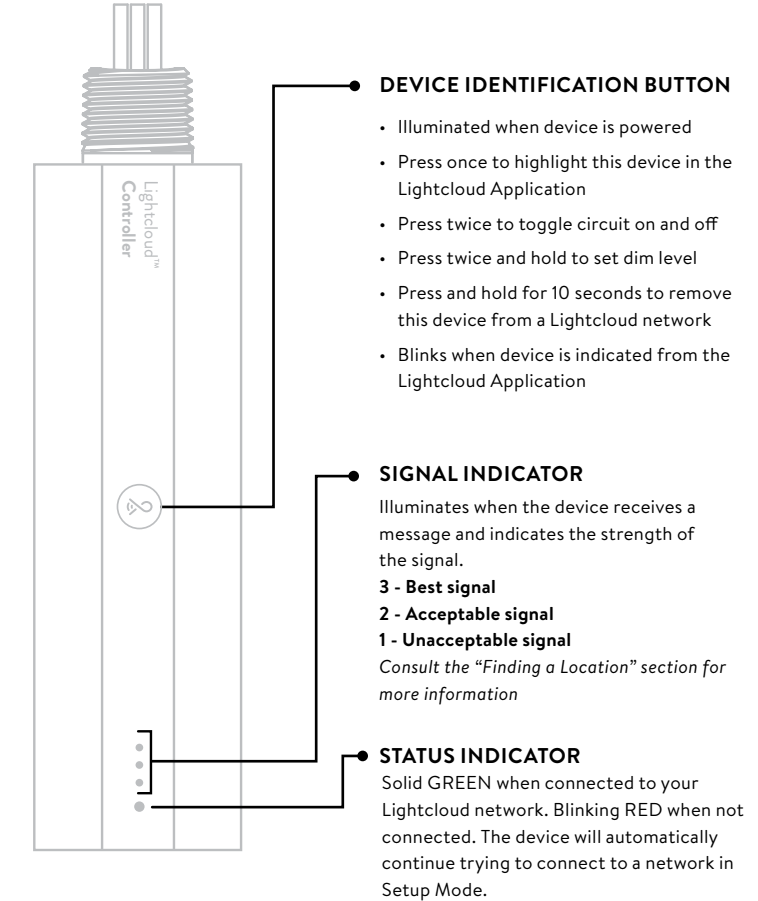
4 Power up



To add your Lightcloud Controller to your system, enable Setup Mode via the Lightcloud application or call RAB at 1 (844) 544-4825. When the Controller powers up, it will automatically try to join, and keep trying until it is able to join.
If you are installing multiple devices, you may wait until they are all installed to enable Setup Mode.
When all devices have been commissioned, remember to disable Setup Mode.

5 Confirm Device Connectivity

Confirm Status Indicator is Solid Green (see details below)



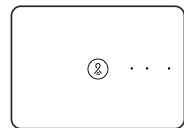
6 Commission your devices

Log on to www.lightcloud.com or call 1 (844) LIGHTCLOUD

WE'RE HERE TO HELP:

1 (844) LIGHTCLOUD
or 1 (844) 544-4825

What You Need

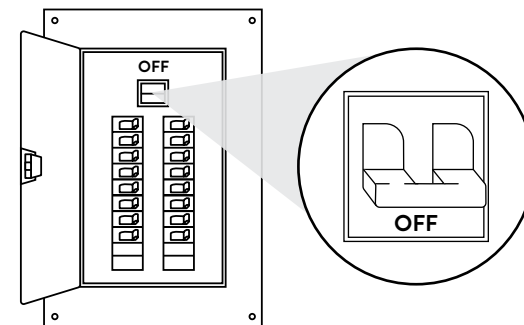


Lightcloud Gateway

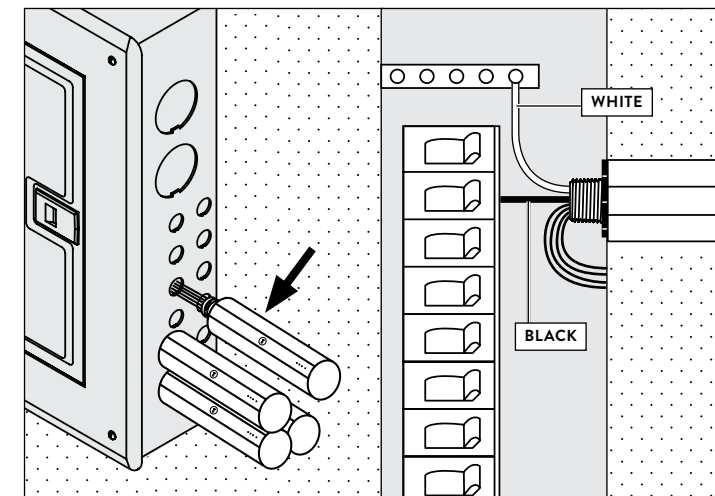
A Lightcloud installation requires at least one Lightcloud Gateway to manage your devices.

Setup & Installation

1 Turn off power



2b at Lighting Panel or Trough



Space and code allowing, you may install Lightcloud devices directly in your breaker box or lighting panel. Alternatively, break out lighting circuits and install Lightcloud devices in a separate trough.



Welcome



Lightcloud™ Controller

LCCONTROL20/D10

Lightcloud is a commercial wireless lighting control system and service. It's powerful and flexible, yet easy to use and install.

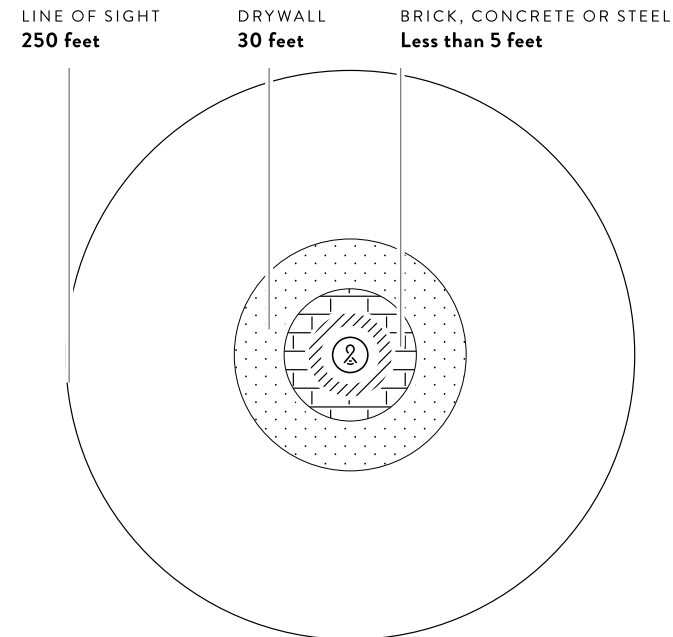
1 (844) LIGHTCLOUD
1 (844) 544-4825



© RAB Lighting, Inc
170 Ludlow Avenue Northvale, NJ 07647

Finding a Location

Lightcloud uses a wireless mesh network to connect devices such as the Controller to the Gateway. Unlike a WiFi router, each Lightcloud device may connect another device to the network. The illustration below indicates recommended maximum distances between Lightcloud devices. For example, if two Lightcloud devices are separated by ordinary drywall construction, try to keep them within 30 feet of each other. Brick, concrete and steel construction may require additional mains-powered Lightcloud devices to go around the obstruction. See the Deployment section of your Gateway for more information.



Functionality

Configuration

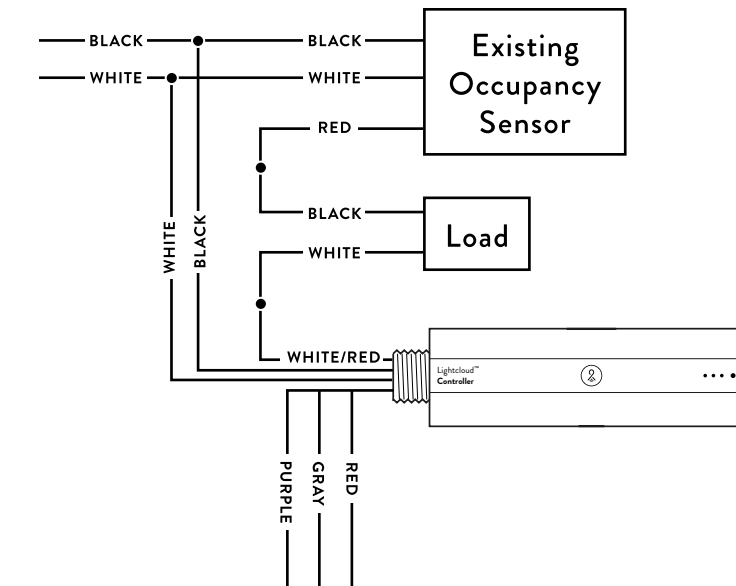
All configuration of Lightcloud products may be performed using the Lightcloud web or mobile application, or by calling RAB.

1 (844) LIGHTCLOUD
or 1 (844) 544-4825

Operating Modes

CONTROLLER Provides switching and dimming for a single zone

TRIGGER Detect when an attached circuit is open or closed. For example, you could attach the Controller in Trigger mode to an existing occupancy sensor to allow your Lightcloud system to react to the sensor.



REPEATER: Disables zone control and power measurement, and extends the range of your network.

POWER MEASUREMENT: The Lightcloud Controller is capable of measuring the power usage of the attached circuit. In order to utilize this function, the neutral wire of the load must be connected to the white-red sense wire. If the Switched Neutral line cannot be used, it should be tied to the regular neutral wires (i.e. all neutral wires joined).

POWER LOSS DETECTION: If mains power to the Controller is lost, the device will detect this and alert the Lightcloud application.

EMERGENCY DEFAULT: If communication is lost, the Controller may optionally fall back to a specific state, such as turning the attached circuit on.



Any wires not in use must be capped off or otherwise insulated.

Hello

Lightcloud is a wireless lighting control service. The Lightcloud Controller is a remotely controlled switch and 0-10V dimming device.

Product Features

- Wireless Control & Configuration
- Switching up to 20A
- 0-10V Dimming
- Power Monitoring
- Patent Pending