



Project:	Type:
Prepared By:	Date:

Driver Info		LED Info	
Type	Constant Current	Watts	15W
120V	0.145A	Color Temp	4000K (Neutral)
208V	N/A	Color Accuracy	80 CRI
240V	N/A	L70 Lifespan	50,000 Hours
277V	N/A	Lumens	900
Input Watts	15W	Efficacy	60 lm/W

Technical Specifications

Listings

UL Listed & UL Classified:

Suitable for wet locations

ENERGY STAR V2.2:

This product is ENERGY STAR® Version 2.2 Certified.

Energy Star Model Number:

DLS0030

Electrical

Dimming Driver:

TRIAC compatible dimmer with dimming as low as 5%. [See dimmer compatibility guide here.](#)

Power Factor:

≥0.9

PF:

≥0.9

Input Voltage:

120V

Operating Frequency (Hz):

60Hz

Performance

Lifespan:

50,000-Hour LED lifespan based on IES LM-80 results and TM-21 calculations

Construction

IC Rated:

Suitable for direct contact with insulation

Air Tight:

Housing certified Air Tight as per ASTM E283

Housing:

Constructed from durable aluminum that provides thermal cooling. Housing frame built from non-electrically conductive polycarbonate.

Cold Weather Starting:

The minimum starting temperature is -30°C (-22°F)

Maximum Ambient Temperature:

Suitable for use in up to 40°C (104°F)

Technical Specifications (continued)

Construction

Lens:

Diffuse Polystyrene lens produces smooth uniform light that is glare free

Green Technology:

Mercury and UV free. RoHS-compliant components.

Socket Adapter:

Edison 26 Medium Base Socket adapter included in box

Mounting:

Torsions springs included in box for secure retrofit installations on existing cans. Mounts to most common 4" junction boxes. May be used in compatible junction boxes in direct contact with insulation. Includes mounting bracket for installations with electrical junction boxes. Retrofit mounting hardware sold separately. SM7UNV/ACCC - 7" 120-277V Surface Mount Retrofit Hardware.

Finish:

Matte White

Optical

Beam Angle:

120°

LED Characteristics

LEDs:

Long-life, high-efficacy, surface-mount LEDs

Wattage Equivalency:

75W Incandescent

Other

Warranty:

RAB warrants that our LED products will be free from defects in materials and workmanship for a period of five (5) years from the date of delivery to the end user, including coverage of light output, color stability, driver performance and fixture finish. RAB's warranty is subject to all terms and conditions found at rablighting.com/warranty.

Buy American Act Compliance:

RAB values USA manufacturing! Upon request, RAB may be able to manufacture this product to be compliant with the Buy American Act (BAA). Please contact customer service to request a quote for the product to be made BAA compliant.

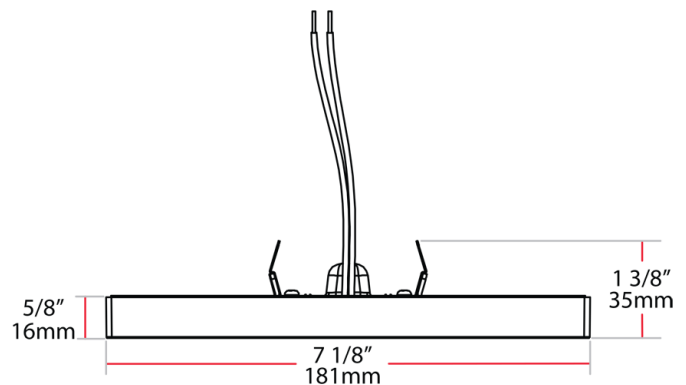
Minimum Compartment Size

Length x Width x Height [in]	Lamp Quantity
7.9 x 7.9 x 10.6	1

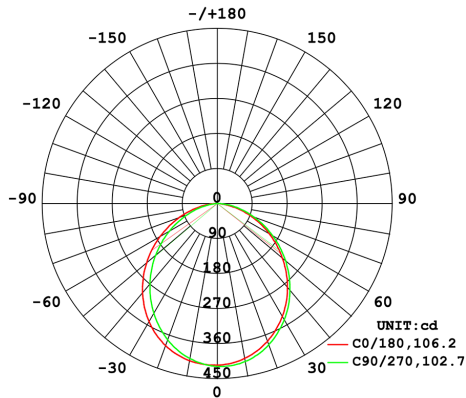
Case and Pallet Dimensions

	QTY	LENGTH (in)	WIDTH (in)	HEIGHT (in)
CASE	6	20.55	6.61	8.46
PALLET	420	9.92	1.93	42.32

Dimension



Light Distribution



Features

- Low profile driverless design
- Aluminum backplate with superior thermal management
- Edge-lit design provides smooth diffused light
- New construction or retrofit applications
- Suitable for wet locations
- Dimmable down to 5% on compatible dimmers
- TRIAC and 0-10V dimming models available
- 5-Year, No-Compromise Warranty

Ordering Matrix

Family	Size	Shape	Wattage	CRI/Color Temp	Voltage	Dimming	Finish
SM	7	S	15	840	120		W
	5.5 = 5.5" 7 = 7" 9 = 9"	R = Round S = Square	10 = 600lm 15 = 900lm 20 = 1200lm	940 = 90 CRI, 4000K (Neutral) 930 = 90 CRI, 3000K (Warm) 927 = 90 CRI, 2700K (Residential Warm) 840 = 80 CRI, 4000K (Neutral) 830 = 80 CRI, 3000K (Warm) 827 = 80 CRI, 2700K (Residential Warm)	120 = 120V UNV = 120-277V	Blank = Blank ¹ T = TRIAC Dimming	W = White

¹ If 120V is selected, 'blank' is TRIAC Dimming
 If UNV is selected, 'blank' is 0-10V Dimming