



<b>Project:</b>	<b>Type:</b>
<b>Prepared By:</b>	<b>Date:</b>

Driver Info		LED Info	
Type	Constant Current	Watts	10W
120V	0.09A	Color Temp	3000K (Warm)
208V	N/A	Color Accuracy	80 CRI
240V	N/A	L70 Lifespan	50,000 Hours
277V	N/A	Lumens	600
Input Watts	10W	Efficacy	60 lm/W

## Technical Specifications

### Listings

#### UL Listed & UL Classified:

Suitable for wet locations

#### ENERGY STAR V2.2:

This product is ENERGY STAR® Version 2.2 Certified.

#### Energy Star Model Number:

DLS0002

### Electrical

#### Dimming Driver:

TRIAC compatible dimmer with dimming as low as 5%. [See dimmer compatibility guide here.](#)

#### Power Factor:

≥0.9

#### PF:

≥0.9

#### Input Voltage:

120V

#### Operating Frequency (Hz):

60Hz

### Performance

#### Lifespan:

50,000-Hour LED lifespan based on IES LM-80 results and TM-21 calculations

### Construction

#### IC Rated:

Suitable for direct contact with insulation

#### Air Tight:

Housing certified Air Tight as per ASTM E283

#### Housing:

Constructed from durable aluminum that provides thermal cooling. Housing frame built from non-electrically conductive polycarbonate.

#### Cold Weather Starting:

The minimum starting temperature is -30°C (-22°F)

#### Maximum Ambient Temperature:

Suitable for use in up to 40°C (104°F)

## Technical Specifications (continued)

### Construction

#### Lens:

Diffuse Polystyrene lens produces smooth uniform light that is glare free

#### Green Technology:

Mercury and UV free. RoHS-compliant components.

#### Socket Adapter:

Edison 26 Medium Base Socket adapter included in box

#### Mounting:

Torsion springs allow for secure installation. Retrofit mounting hardware sold separately. [SM5.5/ACC](#) - 5.5" Surface Mount Retrofit Hardware.

### Finish:

Matte White

### Optical

#### Beam Angle:

120°

### LED Characteristics

#### LEDs:

Long-life, high-efficacy, surface-mount LEDs

#### Wattage Equivalency:

60W Incandescent

### Other

#### Warranty:

RAB warrants that our LED products will be free from defects in materials and workmanship for a period of five (5) years from the date of delivery to the end user, including coverage of light output, color stability, driver performance and fixture finish. RAB's warranty is subject to all terms and conditions found at [rablighting.com/warranty](http://rablighting.com/warranty).

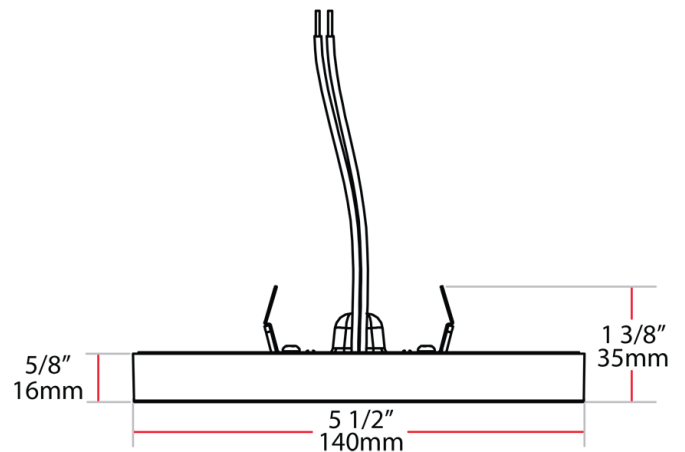
#### Buy American Act Compliance:

RAB values USA manufacturing! Upon request, RAB may be able to manufacture this product to be compliant with the Buy American Act (BAA). Please contact customer service to request a quote for the product to be made BAA compliant.

## Case and Pallet Dimensions

	QTY	LENGTH (in)	WIDTH (in)	HEIGHT (in)
<b>CASE</b>	6	12.05	6.61	6.89
<b>PALLET</b>	756	5.67	1.93	41.34

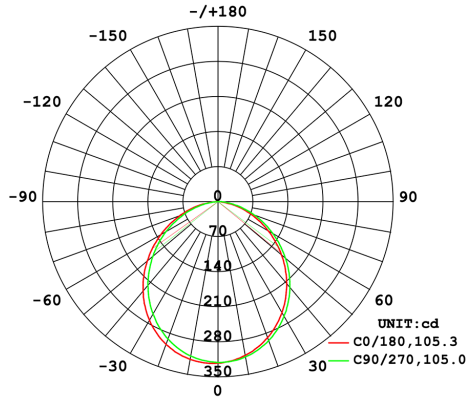
## Dimension



## Light Distribution

## Features

- Low profile driverless design
- Aluminum backplate with superior thermal management
- Edge-lit design provides smooth diffused light
- New construction or retrofit applications
- Suitable for wet locations
- Dimmable down to 5% on compatible dimmers
- TRIAC and 0-10V dimming models available
- 5-Year, No-Compromise Warranty



## Ordering Matrix

Family	Size	Shape	Wattage	CRI/Color Temp	Voltage	Dimming	Finish
SM	5.5	R	10	830	120		W
	5.5 = 5.5" 7 = 7" 9 = 9"	R = Round S = Square	10 = 600lm 15 = 900lm 20 = 1200lm	940 = 90 CRI, 4000K (Neutral) 930 = 90 CRI, 3000K (Warm) 927 = 90 CRI, 2700K (Residential Warm) 840 = 80 CRI, 4000K (Neutral) 830 = 80 CRI, 3000K (Warm) 827 = 80 CRI, 2700K (Residential Warm)	120 = 120V UNV = 120-277V	Blank = Blank <sup>1</sup> T = TRIAC Dimming	W = White

<sup>1</sup> If 120V is selected, 'blank' is TRIAC Dimming <br> If UNV is selected, 'blank' is 0-10V Dimming