



Specification Grade Area lights available in IES Type II distributions. For use in parking lots, roadways, pathways and general area lighting. Mounts to 4" square steel poles at 15-25'. Designed to replace 250W Metal Halide Area Lights. Patent Pending thermal management system. 5 Year Warranty.

Color: Gray

Weight: 32.0 lbs

Project:

Type:

Prepared By:

Date:

Driver Info

Type: Constant Current
 120V: 0.66A
 208V: 0.41A
 240V: 0.35A
 277V: 0.30A
 Input Watts: 79W
 Efficiency: 98%

LED Info

Watts: 78W
 Color Temp: 3000K (Warm)
 Color Accuracy: 82 CRI
 L70 Lifespan: 100,000
 Lumens: 6,132
 Efficacy: 77 LPW

Technical Specifications

Listings

UL Listing:

Suitable for wet locations as a downlight.

IESNA LM-79 & IESNA LM-80 Testing:

RAB LED luminaires have been tested by an independent laboratory in accordance with IESNA LM-79 and 80, and have received the Department of Energy "Lighting Facts" label.

Dark Sky Approved:

The International Dark Sky Association has approved this product as a full cutoff, fully shielded luminaire.

Optical

Lumen Maintenance:

100,000-hour LED lifespan based on IES LM-80 results and TM-21 calculations.

Replacement:

The ALED78 replaces 250W Metal Halide Area Lights.

Construction

IES Classification:

The Type II distribution is ideal for wide walkways, on ramps and entrance roadways, bike paths and other long and narrow lighting applications. This type is meant for lighting larger areas and usually is located near the roadside. This type of lighting is commonly found on smaller side streets or jogging paths.

Effective Projected Area:

EPA = 2.2

Ambient Temperature:

Suitable for use in 40°C ambient temperatures.

Cold Weather Starting:

The minimum starting temperature is -40°F/-40°C.

Thermal Management:

Superior heat sinking with external Air-Flow fins.

Housing:

Die cast aluminum housing, lens frame and mounting arm.

Mounting:

Slipfitter with 180° pivot available for mounting on 2 3/8" tenon.

Reflector:

Specular vacuum-metallized polycarbonate

Gaskets:

High temperature silicone gaskets.

Finish:

Our environmentally friendly polyester powder coatings are formulated for high-durability and long-lasting color, and contains no VOC or toxic heavy metals.

Green Technology:

Mercury and UV free.

For use on LEED Buildings:

IDA Dark Sky Approval means that this fixture can be used to achieve LEED Credits for Light Pollution Reduction.

LED Characteristics

LEDs:

Six (6) multi-chip, 13W, high-output, long-life LEDs.

Color Consistency:

3-step MacAdam Ellipse binning to achieve consistent fixture-to-fixture color.

Color Stability:

LED color temperature is warranted to shift no more than 200K in CCT over a 5 year period.

Color Uniformity:

RAB's range of CCT (Correlated color temperature) follows the guidelines of the American National Standard for Specifications for the Chromaticity of Solid State Lighting (SSL) Products, ANSI C78.377-2008.

Electrical

Driver:

Constant Current, Class 2, 2000mA, 100-277V, 50-60Hz, 1.1A, Power Factor 99%

THD:

5.1% at 120V, 13.2% at 277V

Surge Protection:

4kV

Surge Protector:

ALED78 is available with a 6kV surge protector (SP6). SP6 available .

Other

California Title 24:

See ALED2T78/D10, ALED2T78/BL, ALED2T78/PCS, ALED2T78/PCS2, or ALED2T78/PCT for a 2013 California Title 24 compliant product. Any additional component requirements will be listed in the Title 24 section under technical specifications on the product page.

Technical Specifications (continued)

Other

Warranty:

RAB warrants that our LED products will be free from defects in materials and workmanship for a period of five (5) years from the date of delivery to the end user, including coverage of light output, color stability, driver performance and fixture finish.

Patents:

The ALED design is protected by patents in the U.S. Pat. 668,370, Canada Pat. 144956, China ZL201230100154.X, and Mexico Pat. 38423. Pending patents in Taiwan.

Country of Origin:

Designed by RAB in New Jersey and assembled in the USA by RAB's IBEW Local 3 workers.

Buy American Act Compliant:

This product is a COTS item manufactured in the United States, and is compliant with the Buy American Act.

Recovery Act (ARRA) Compliant:

This product complies with the 52.225-21 "Required Use of American Iron, Steel, and Manufactured Goods-- Buy American Act-- Construction Materials (October 2010).

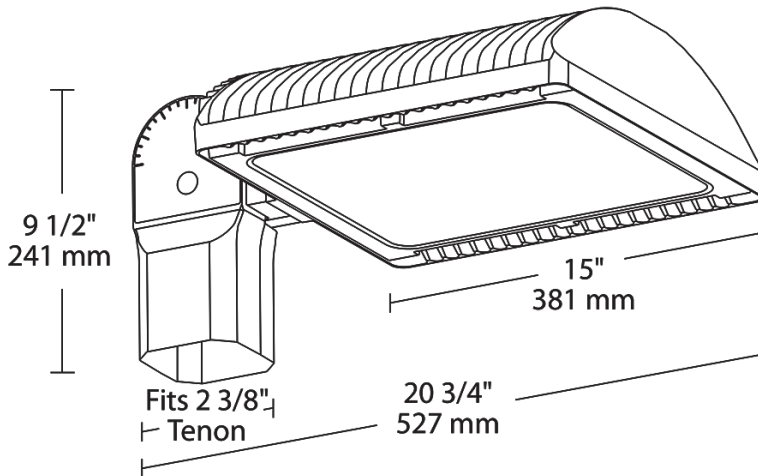
Trade Agreements Act Compliant:

This product is a COTS item manufactured in the United States, and is compliant with the Trade Agreements Act.

GSA Schedule:

Suitable in accordance with FAR Subpart 25.4.

Dimensions



Features

- High output LED light engine
- Maintains 70% of initial lumens at 100,000 hours
- Weatherproof high temperature silicone gaskets
- Superior heat sinking with die cast aluminum housing and external fins
- Replaces 250W MH area lights
- 5-year warranty

Ordering Matrix

| Family | Distribution | Watts | Mount | Color Temp | Finish | Voltage | Photocell | Dimming | Bi-Level |
|--------|---|----------|--------------------------|-----------------------------------|------------------------------------|---------------------------|--|---------------------------------|---------------------------------|
| ALED | | | | | | | | | |
| | 2T = Type II 3T = Type III 4T = Type IV | 78 = 78W | = Arm SF = Slipfitter | = Cool Y = Warm N = Neutral | = Bronze W = White RG = Gray | = 120-277V /480 = 480V | = No Photocell /PC = 120V Button /PC2 = 277V Button /PCS = 120V Swivel /PCS2 = 277V Swivel /PCT = 120-277V Twistlock /PCS4 = 480V Swivel | = No Dimming /D10 = Dimmable | = No Bi-Level /BL = Bi-Level |