



Specification grade area lights available in IES Type III distributions. For use for roadway, general parking and other area lighting applications where a larger pool of lighting is required. Best-in-class 5-G vibration rating. 5 Year Warranty.

Color: White

Weight: 22.7 lbs

<b>Project:</b>	<b>Type:</b>
<b>Prepared By:</b>	<b>Date:</b>

Driver Info		LED Info	
Type:	Constant Current	Watts:	110W
120V:	0.93A	Color Temp:	3000K
208V:	0.56A	Color Accuracy:	72 CRI
240V:	0.49A	L70 Lifespan:	100000
277V:	0.42A	Lumens:	11,846
Input Watts:	110W	Efficacy:	108 LPW
Efficiency:	N/A		

**Technical Specifications**

**Listings**

**UL Listing:**

Suitable for wet locations.

**IESNA LM-79 & IESNA LM-80 Testing:**

RAB LED luminaires have been tested by an independent laboratory in accordance with IESNA LM-79 and 80, and have received the Department of Energy "Lighting Facts" label.

**Dark Sky Approved:**

Conforms to the requirements listed by the International Dark-Sky Association for "Dark Sky" approval. The Fixture Seal of Approval provides objective, third-party certification for luminaires that minimize glare, reduce light trespass, and don't pollute the night sky.

**Electrical**

**Driver:**

Constant Current, Class 2, 100-277V, 50/60 Hz, 120V: 0.93A, 208V: 0.56A, 240V: 0.49A, 277V: 0.42A

**THD:**

6.7% at 120, 9.1% at 277V

**Power Factor:**

99.3% at 120V, 95.4% at 277V

**Dimming Driver:**

Driver includes dimming control wiring for 0-10V dimming systems. Requires separate 0-10V DC dimming circuit. Dims as low as 10%.

**Surge Protection:**

L-N 4kV; L-Earth 6kV

**Optical**

**Lifespan:**

100,000-hour LED lifespan based on IES LM-80 results and TM-21 calculations.

**Construction**

**IES Classification:**

The Type III distribution is meant to be located near the side of an area, projecting the light outward to fill the area. Ideal for roadways, general parking areas, lighting applications and where a large pool of light is required.

**Effective Projected Area:**

EPA = 0.8

**Vibration Rating:**

Industry-leading 5G vibration rating per ANSI C136.31.

**Cold Weather Starting:**

Minimum starting temperature is -40° F (-40° C)

**Ambient Temperature:**

Suitable for use in 104° F (40° C) ambient temperatures.

**Housing:**

Precision die-cast aluminum housing.

**Mounting:**

Mounts to all square and round poles.

**Lens:**

Clear acrylic lens with integrated optics

**IP Rating:**

Ingress Protection rating of IP66 for dust and water

**Gaskets:**

High temperature silicone gaskets.

**Finish:**

Formulated for high-durability and long lasting color.

**Green Technology:**

Mercury and UV free. RoHS compliant components. Polyester powder coat finish formulated without the use of VOC or toxic heavy metals.

**For use on LEED Buildings:**

IDA Dark Sky Approval means that this fixture can be used to achieve LEED Credits for Light Pollution Reduction.

**LED Characteristics**

**LEDs:**

Long-life, high-efficiency surface mounting LEDs

**Color Stability:**

LED color temperature is warranted to shift no more than 200K in CCT over a 5 year period.

**Color Uniformity:**

RAB's range of CCT (Correlated Color Temperature) follows the guidelines of the American National Standard for Specifications for the Chromaticity of Solid State Lighting (SSL) Products, ANSI C78.377-2015.

**Other**

**5 Yr Limited Warranty:**

Fixture operation and paint finish are covered for a period of 5 years.

**Technical Specifications (continued)**

**Other**

**Replacement:**

Replaces up to 250W Metal Halide.

**Country of Origin:**

Designed by RAB in New Jersey and assembled in the USA by RAB's IBEW Local 3 workers.

**Buy American Act Compliant:**

This product is a COTS item manufactured in the United States, and is compliant with the Buy American Act.

**Recovery Act (ARRA) Compliant:**

This product complies with the 52.225-21 "Required Use of American Iron, Steel, and Manufactured Goods-- Buy American Act-- Construction Materials (October 2010).

**GSA Schedule:**

Suitable in accordance with FAR Subpart 25.4.

**Sensor Specifications**

**Operating Voltage:**

120V or 277V

**Power Consumption:**

1W

**0-10V Sinking Current:**

50mA

**Adjustable High and Low Modes:**

High: 0-10V; Low: off, 0-9.8V

**Time Delay:**

30 seconds, 1-30 minutes

**Adjustable Cut Off Delay:**

Time in which the fixture will remain on low mode with no motion before turning off and waiting for new motion to turn on: None, 1 -60 min., 1 -5 hrs.

**Adjustable Sensitivity:**

None, low, medium, maximum

**Adjustable Setpoint:**

None, 1 to 250 fc, auto

**Adjustable Ramp Up and Fade Down Times:**

1 to 60 sec.

**Operating Temperature:**

-40°F to 167°F (-40°C to +75°C)

**Operating Humidity:**

20% to 90% noncondensing

**Relay Life Rating:**

200,000 cycles (120/277VAC), 50,000 cycles (230VAC)

**IP Rating:**

Ingress Protection rating of IP66 for dust and water

**UL Listing:**

Suitable for Wet Locations as factory installed.

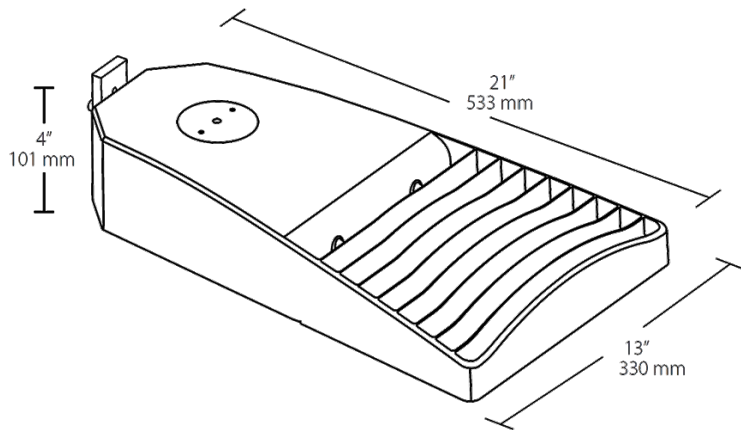
**Handheld Wireless Configuration Tool:**

Adjust settings using handheld wireless configuration tool. Only available with 0-10V dimming driver options.

**Multi Level Motion Sensor:**

40 ft. diameter coverage from 20 ft. height.

**Dimensions**



**Features**

- Lightweight design and low EPA minimize pole load
- Best-in-class 5-G vibration rating
- 100,000-hour LED lifespan
- 5-year warranty

## Ordering Matrix

Family	IES Type	Wattage	Color Temp	Finish	Driver Options	Mounting	Sensor Options	Accessories
LOT	3T	110	Y	W	/D10	/UPA	/WS2	
	<b>3T</b> = Type III <b>160</b> = 160W <b>110</b> = 110W <b>65</b> = 65W	<b>Blank</b> = 5000K (Cool) <b>N</b> = 4000K (Neutral) <b>Y</b> = 3000K (Warm)	<b>Blank</b> = Bronze <b>W</b> = White	<b>/D10</b> = 120-277V, 0-10V Dimming (standard) <b>/480/D10</b> = 480V, 0-10V Dimming	<b>Blank</b> = Mounts to RAB square poles <b>/UPA</b> = Universal Pole Adaptor	<b>Blank</b> = None <b>/PCT</b> = 120-277V Twistlock PC <b>/PCT4</b> = 480V Twistlock PC <b>/WS2</b> = Wattstopper Sensor + 20ft lens, 120-277V <b>/WS4</b> = Wattstopper Sensor + 40ft lens, 120-277V <b>/5PR</b> = 5-Pin Receptacle, no PCT <b>/7PR</b> = 7-Pin Receptacle, no PCT <b>/BL</b> = Bi-Level Dimming, 120-277V	<b>Blank</b> = None <b>/HS</b> = 2 House-Side-Shields	