



ALED Area Lights mount to 4" square steel poles at 15-20'. Available in regular, cutoff and full cutoff versions. 1 to 4 fixtures can be mounted to each pole. IES Full Cutoff, Fully Shielded optics. 5 year Warranty.

Color: Bronze

Weight: 16.4 lbs

|                     |              |
|---------------------|--------------|
| <b>Project:</b>     | <b>Type:</b> |
| <b>Prepared By:</b> | <b>Date:</b> |

| Driver Info  |                  | LED Info        |              |
|--------------|------------------|-----------------|--------------|
| Type:        | Constant Current | Watts:          | 52W          |
| 120V:        | 0.51A            | Color Temp:     | 5000K (Cool) |
| 208V:        | 0.33A            | Color Accuracy: | 65 CRI       |
| 240V:        | 0.29A            | L70 Lifespan:   | 100,000      |
| 277V:        | 0.24A            | Lumens:         | 5,896        |
| Input Watts: | 61W              | Efficacy:       | 97 LPW       |
| Efficiency:  | 86%              |                 |              |

## Technical Specifications

### Other

#### ALED52 with Dimmable Driver:

Driver includes dimming control for 0-10V dimming systems. Requires separate 0-10V DC dimming circuit. Dims as low as 10%.

#### California Title 24:

See ALED52/PCS for a 2013 California Title 24 compliant model.

#### Warranty:

RAB warrants that our LED products will be free from defects in materials and workmanship for a period of five (5) years from the date of delivery to the end user, including coverage of light output, color stability, driver performance and fixture finish.

#### Patents:

The ALED design is protected by patents pending in the U.S., Canada, China, Taiwan and Mexico.

#### Country of Origin:

Designed by RAB in New Jersey and assembled in the USA by RAB's IBEW Local 3 workers.

#### Buy American Act Compliant:

This product is a COTS item manufactured in the United States, and is compliant with the Buy American Act.

#### Recovery Act (ARRA) Compliant:

This product complies with the 80.225-21 "Required Use of American Iron, Steel, and Manufactured Goods-- Buy American Act-- Construction Materials (October 2010).

#### Trade Agreements Act Compliant:

This product is a COTS item manufactured in the United States, and is compliant with the Trade Agreements Act.

#### GSA Schedule:

Suitable in accordance with FAR Subpart 25.4.

### Listings

#### UL Listing:

Suitable for wet locations and Suitable for mounting below 4' of the ground.

#### IESNA LM-79 & IESNA LM-80 Testing:

RAB LED luminaires have been tested by an independent laboratory in accordance with IESNA LM-79 and 80, and have received the Department of Energy "Lighting Facts" label.

### Optical

#### Lumen Maintenance:

100,000-hour LED lifespan based on IES LM-80 results and TM-21 calculations.

#### Replacement:

The ALED52 replaces 150W HID Area Lights.

#### BUG Rating:

B0 U2 G3

### Construction

#### IES Classification:

The Type IV distribution (also known as a Forward Throw) is especially suited for mounting on the sides of buildings and walls, and for illuminating the perimeter of parking areas. It produces a semiCircular distribution with essentially the same candlepower at lateral angles from 90° to 270°.

#### Ambient Temperature:

Suitable for use in 40°C ambient temperatures.

#### Cold Weather Starting:

The minimum starting temperature is -40°F/-40°C.

#### Thermal Management:

Cast aluminum Thermal Management system for optimal heat sinking. The ALED is designed for cool operation, most efficient output and maximum LED life by minimizing LED junction temperature.

### Housing:

Precision die cast aluminum housing, lens frame.

### Arm:

Die-cast aluminum with wiring access plate.

### Effective Projected Area:

EPA = 1.5

### Reflector:

Specular vacuum-metallized polycarbonate

### Gaskets:

High temperature silicone.

### Finish:

Our environmentally friendly polyester powder coatings are formulated for high-durability and long-lasting color, and contains no VOC or toxic heavy metals.

### Green Technology:

ALEDs are Mercury and UV free.

### LED Characteristics

#### LEDs:

Two (2) multi-chip, high-output, long-life LEDs.

## Technical Specifications (continued)

### LED Characteristics

#### Color Consistency:

7-step MacAdam Ellipse binning to achieve consistent fixture-to-fixture color.

#### Color Stability:

LED color temperature is warranted to shift no more than 200K in CCT over a 5 year period.

#### Color Uniformity:

RAB's range of CCT (Correlated color temperature) follows the guidelines of the American National Standard for Specifications for the Chromaticity of Solid State Lighting (SSL) Products, ANSI C78.377-2008.

### Electrical

#### Drivers:

Constant Current, Class 2, 1400mA, 100-277V, 50-60Hz, 0.8A, Power Factor 99%

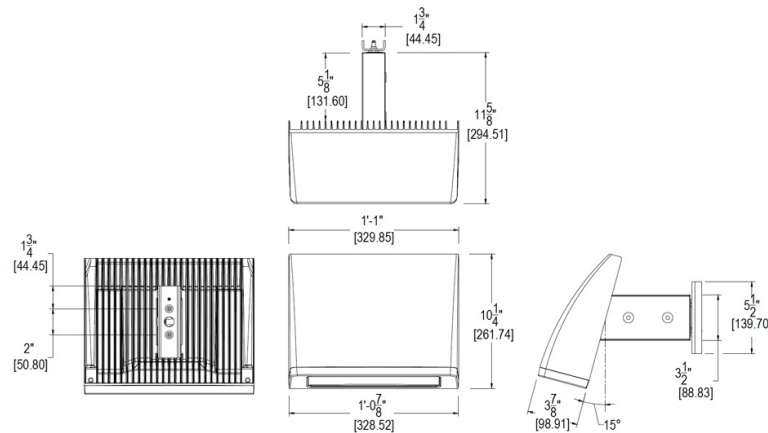
#### THD:

8.3% at 120V, 11% at 277V

#### Surge Protection:

6kV

## Dimensions



## Features

- High output LED light engine
- Maintains 70% of initial lumens at 100,000 hours
- Weatherproof high temperature silicone gaskets
- Superior heat sinking with die cast aluminum housing and external fins

## Ordering Matrix

| Family | Cutoff                                       | Watts    | Color Temp                        | Finish                | Voltage                   | Photocell  | Dimming                         | Bi-Level                        |
|--------|--|----------|-----------------------------------|-----------------------|---------------------------|--|---------------------------------|---------------------------------|
| ALED   |  |          |                                   |                       |                           |  |                                 |                                 |
|        | = Standard<br>C = Cutoff<br>FC = Full Cutoff | 52 = 52W | = Cool<br>Y = Warm<br>N = Neutral | = Bronze<br>W = White | = 120-277V<br>/480 = 480V | = No Photocell<br>/PCS = 120V Swivel<br>/PCS2 = 277V Swivel<br>/PCS4 = 480V Swivel | = No Dimming<br>/D10 = Dimmable | = No Bi-Level<br>/BL = Bi-Level |