



Bullhorn bracket safely supports HID floodlights. Great with Floodzilla, Megaflood and Flexflood models.

Color: Galvanized steel

Weight: 25.0 lbs

Project:	Type:
Prepared By:	Date:

Technical Specifications

Construction

Mounting:

BULL2W is for mounting Slipfitter fixtures onto wooden poles.

Finish:

Galvanized steel.

Bullhorns:

2 tenons for slip fitters. Bullhorns fit 2 3/8" (6cm) O.D. tenons and accommodate 2 3/8" (6cm) slip fitters. Steel tubing .150" and .200" thick welded with (4) 3/8" bolts for securing to pole.

Slipfitters & Wall Brackets:

3/16" thick steel with 1/2" nuts and bolts.

EPA:

1.35.

Weight:

25 lbs.

EPA Maximum Capacity:

5.0.

Other

Maximum Weight:

100 lbs.

Buy American Act Compliant:

This product is a COTS item manufactured in the United States, and is compliant with the Buy American Act.

Recovery Act (ARRA) Compliant:

This product complies with the 52.225-21 "Required Use of American Iron, Steel, and Manufactured Goods-- Buy American Act-- Construction Materials (October 2010).

Trade Agreements Act Compliant:

This product is a COTS item manufactured in the United States, and is compliant with the Trade Agreements Act.

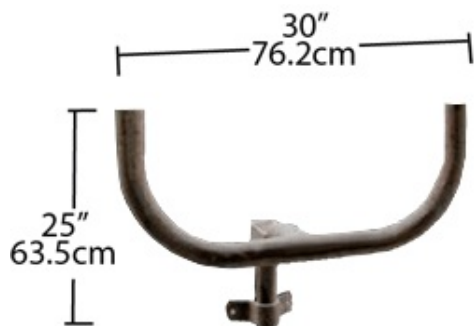
GSA Schedule:

Suitable in accordance with FAR Subpart 25.4.

Patents:

The designs of fixtures are protected under U.S. and international intellectual property laws.

Dimensions



Features

Easy, secure floodlight mounting

Double Reinforced weld joints