



ALED Area Lights mount to 4" square steel poles at 15-20'. Available in regular, cutoff and full cutoff versions. 1 to 4 fixtures can be mounted to each pole. IES Full Cutoff, Fully Shielded optics. 5 year Warranty.

Color: Bronze

Weight: 16.4 lbs

<b>Project:</b>	<b>Type:</b>
<b>Prepared By:</b>	<b>Date:</b>

Driver Info		LED Info	
Type:	Constant Current	Watts:	80W
120V:	0.71A	Color Temp:	3000K (Warm)
208V:	0.41A	Color Accuracy:	82 CRI
240V:	0.36A	L70 Lifespan:	100,000
277V:	0.31A	Lumens:	6,277
Input Watts:	79W	Efficacy:	79 LPW
Efficiency:	N/A		

## Technical Specifications

### Other

#### ALED80 with Bi-Level Operation:

Allows 50% and 100% output modes.

#### Warranty:

RAB warrants that our LED products will be free from defects in materials and workmanship for a period of five (5) years from the date of delivery to the end user, including coverage of light output, color stability, driver performance and fixture finish.

#### Patents:

The WPLED design is protected by patents pending in the U.S., Canada, China, Taiwan and Mexico.

#### Country of Origin:

Designed by RAB in New Jersey and assembled in the USA by RAB's IBEW Local 3 workers.

#### Buy American Act Compliant:

This product is a COTS item manufactured in the United States, and is compliant with the Buy American Act.

#### Recovery Act (ARRA) Compliant:

This product complies with the 80.225-21 "Required Use of American Iron, Steel, and Manufactured Goods-- Buy American Act-- Construction Materials (October 2010).

#### Trade Agreements Act Compliant:

This product is a COTS item manufactured in the United States, and is compliant with the Trade Agreements Act.

#### GSA Schedule:

Suitable in accordance with FAR Subpart 25.4.

### Listings

#### UL Listing:

Suitable for wet locations and Suitable for mounting below 4' of the ground.

#### IESNA LM-79 & IESNA LM-80 Testing:

RAB LED luminaires have been tested by an independent laboratory in accordance with IESNA LM-79 and 80, and have received the Department of Energy "Lighting Facts" label.

#### Dark Sky Approved:

The International Dark Sky Association has approved this product as a full cutoff, fully shielded luminaire.

### Optical

#### Lumen Maintenance:

100,000-hour LED lifespan based on IES LM-80 results and TM-21 calculations.

#### Replacement:

The ALED80 replaces 250W HID Area Lights.

#### BUG Rating:

B1 U2 G3

### Construction

#### IES Classification:

The Type IV distribution (also known as a Forward Throw) is especially suited for mounting on the sides of buildings and walls, and for illuminating the perimeter of parking areas. It produces a semiCircular distribution with essentially the same candlepower at lateral angles from 90° to 270°.

#### Ambient Temperature:

Suitable for use in 40°C ambient temperatures.

#### Cold Weather Starting:

The minimum starting temperature is -40°F/-40°C.

#### Thermal Management:

Cast aluminum Thermal Management system for optimal heat sinking. The ALED is designed for cool operation, most efficient output and maximum LED life by minimizing LED junction temperature.

#### Housing:

Precision die cast aluminum housing, lens frame.

#### Arm:

Die-cast aluminum with wiring access plate.

#### Reflector:

Specular vacuum-metallized polycarbonate

#### Gaskets:

High temperature silicone.

#### Finish:

Our environmentally friendly polyester powder coatings are formulated for high-durability and long-lasting color, and contains no VOC or toxic heavy metals.

#### Green Technology:

ALEDs are Mercury and UV free.

#### For use on LEED Buildings:

IDA Dark Sky Approval means that this fixture can be used to achieve LEED Credits for Light Pollution Reduction.

### Electrical

#### Drivers:

Two drivers, Class 2, 1050mA, 120-277V, 50-60Hz, 0.8A, Power Factor 95%

## Technical Specifications (continued)

### Electrical

#### THD:

4.8% at 120V, 13.6% at 277V

#### Surge Protection:

6kV

### LED Characteristics

#### Color Consistency:

3-step MacAdam Ellipse binning to achieve consistent fixture-to-fixture color.

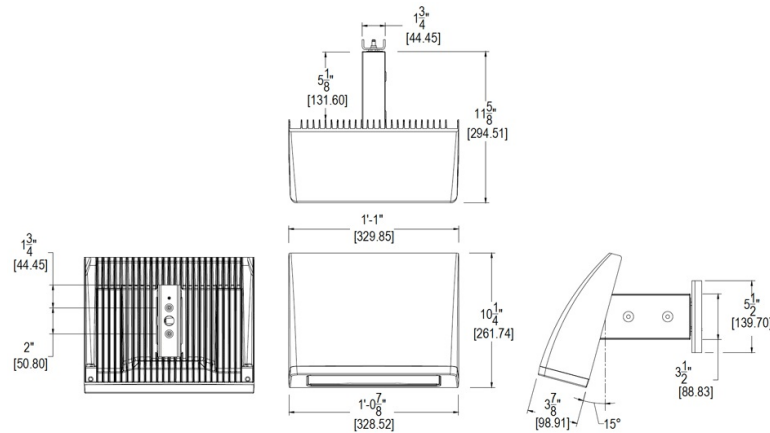
#### Color Stability:

LED color temperature is warranted to shift no more than 200K in CCT over a 5 year period.

### Color Uniformity:

RAB's range of CCT (Correlated color temperature) follows the guidelines of the American National Standard for Specifications for the Chromaticity of Solid State Lighting (SSL) Products, ANSI C78.377-2008.

## Dimensions



## Features

- High output LED light engine
- Maintains 70% of initial lumens at 100,000 hours
- Weatherproof high temperature silicone gaskets
- Superior heat sinking with die cast aluminum housing and external fins

## Ordering Matrix

Family	Cutoff	Watts	Color Temp	Finish	Voltage	Photocell	Dimming	Bi-Level
ALED	= Standard C = Cutoff FC = Full Cutoff	80 = 80W	= Cool Y = Warm N = Neutral	= Bronze W = White	= 120-277V /480 = 480V	= No Photocell /PCS = 120V Swivel /PCS2 = 277V Swivel /PCS4 = 480V Swivel	= No Dimming /D10 = Dimmable	= No Bi-Level /BL = Bi-Level