



Standard mounting. Mounts to square steel poles at 20 - 30 ft, up to 4 fixtures per pole. Patent Pending thermal management system. 100,000 hour L70 lifespan. 5 Year Warranty.

Color: White

Weight: 26.0 lbs

Project:

Type:

Prepared By:

Date:

Driver Info

Type: Constant Current
 120V: 0.95A
 208V: 0.59A
 240V: 0.51A
 277V: 0.44A
 Input Watts: 107W
 Efficiency: 97%

LED Info

Watts: 104W
 Color Temp: 4000K (Neutral)
 Color Accuracy: 82 CRI
 L70 Lifespan: 100,000
 Lumens: 9,823
 Efficacy: 92 LPW

Technical Specifications

Listings

UL Listing:

UL Suitable for Wet Locations as Uplight and Downlight.

IESNA LM-79 & LM-80 Testing:

RAB LED Luminaires have been tested by an independent laboratory in accordance with IESNA LM-79 and LM-80, and have received the Department of Energy "Lighting Facts" label.

DLC Listed:

This product is on the Design Lights Consortium (DLC) Qualified Products List and is eligible for rebates from DLC Member Utilities.

Construction

IP Rating:

Ingress Protection rating of IP66 for dust and water.

Standard Mount:

Standard 15° mount. Die-cast aluminum wall bracket with (5) 1/2" conduit openings with plugs. Two piece bracket with tether for ease of installation and wiring.

Effective Projected Area:

EPA = 2.0

Cold Weather Starting:

Minimum starting temperature is -40°F / -40°C.

Ambient Temperature:

Suitable for use in 40°C (104°F) ambient temperatures.

Thermal Management:

Superior thermal management with external Air-Flow fins.

Housing:

Precision die cast aluminum housing, lens frame.

Arm:

Die-cast aluminum with wiring access plate.

Lens:

Tempered glass.

Reflector:

Specular vacuum metallized polycarbonate.

Gaskets:

High-temperature silicone.

Green Technology:

Mercury and UV free, and RoHS compliant.

LED Characteristics

LEDs:

Four multi-chip, high-output, long-life LEDs.

Lifespan:

100,000-hour LED lifespan based on IES LM-80 results and TM-21 calculations.

Color Accuracy (CRI):

85 CRI

Correlated Color Temp. (Nominal CCT):

4000K

Color Consistency:

3-step MacAdam Ellipse binning to achieve consistent fixture-to-fixture color.

Color Stability:

LED color temperature is warrantied to shift no more than 200K in CCT over a 5 year period.

Color Uniformity:

RAB's range of CCT (Correlated Color Temperature) follows the guidelines of the American National Standard for Specifications for the Chromaticity of Solid State Lighting (SSL) Products, ANSI C78.377.2011.

Electrical

Driver:

Constant current, Class 1, 100-277V, 50/60 Hz, 4kV Surge Protection, 700mA, 100-277V = 0.95A, Power Factor 99.6%.

THD:

4.3% at 120V, 8.7% at 277V

Input Watts:

112W.

Optical

Output Lumens:

7672

Technical Specifications (continued)

Optical

Fixture Efficacy:

69 Lumens per Watt

BUG Rating:

B1 U1 G3

Other

California Title 24:

See ALED104/BL, ALED104/PCT or ALED104/480/PCT4 for a 2013 California Title 24 compliant product. ___Any additional component requirements will be listed in the Title 24 section under teFinish

Patents:

The design of the ALED104 is protected by patents pending in US, Canada, China, Taiwan and Mexico.

Country of Origin:

Designed by RAB in New Jersey and assembled in the USA by RAB's IBEW Local 3 workers.

Buy American Act Compliant:

This product is a COTS item manufactured in the United States, and is compliant with the Buy American Act.

Recovery Act (ARRA) Compliant:

This product complies with the 52.225-21 "Required Use of American Iron, Steel, and Manufactured Goods-- Buy American Act-- Construction Materials (October 2010).

Trade Agreements Act Compliant:

This product is a COTS item manufactured in the United States, and is compliant with the Trade Agreements Act.

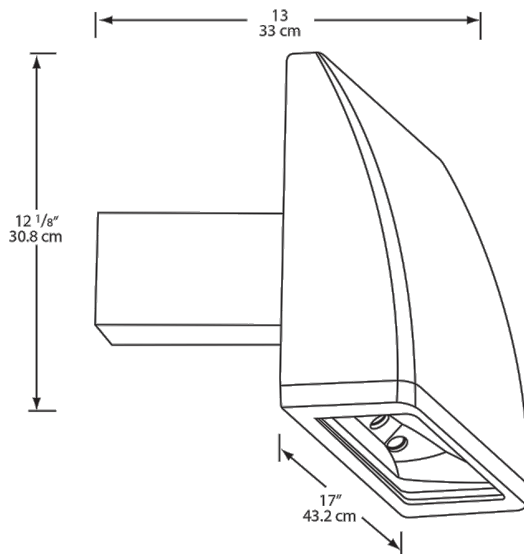
GSA Schedule:

Suitable in accordance with FAR Subpart 25.4.

Warranty:

RAB warrants that our LED products will be free from defects in materials and workmanship for a period of five (5) years from the date of delivery to the end user, including coverage of light output, color stability, driver performance and fixture finish.

Dimensions



Features

- 75% energy savings
- Superior heat sinking with die cast aluminum housing and external fins
- 100,000-hour LED lifespan
- 5-year warranty

Ordering Matrix

| Family | Cutoff | Watts | Color Temp | Finish | Voltage | Photocell | Bi-Level |
|--------|--|-------------------|-----------------------------------|-----------------------|---------------------------|---|---------------------------------|
| ALED | | | | | | | |
| | = Standard C = Cutoff FC = Full Cutoff | 104 = 104W | = Cool Y = Warm N = Neutral | = Bronze W = White | = 120-277V /480 = 480V | = No Photocell /PCT = 120-277V Twistlock /PCT4 = 480V Twistlock | = No Bi-Level /BL = Bi-Level |