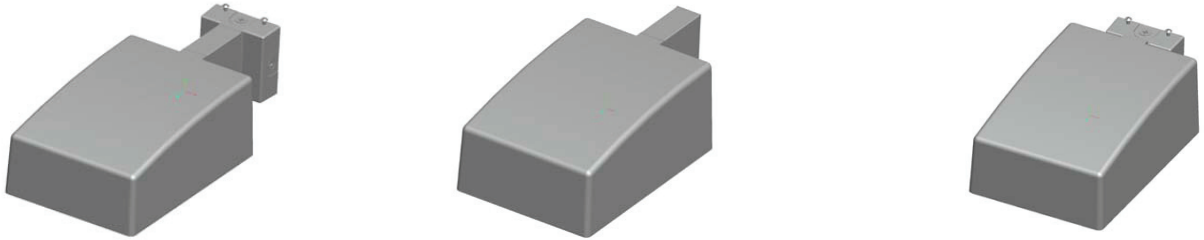


## AJ™ AREA LIGHT INSTALLATION INSTRUCTIONS



Thank you for buying RAB lighting fixtures. Our goal is to design the best quality products to get the job done right. We'd like to hear your comments. Call the Marketing Department at 888-RAB-1000, or email: [marketing@rabweb.com](mailto:marketing@rabweb.com)

### IMPORTANT

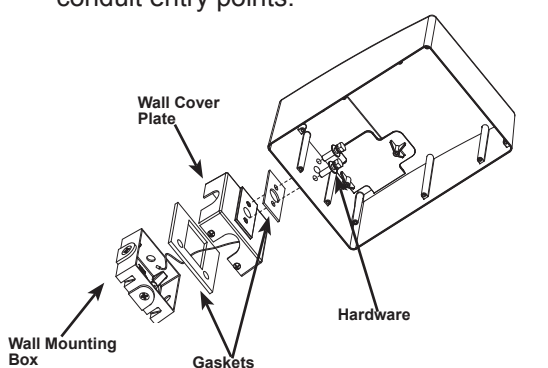
**READ CAREFULLY BEFORE INSTALLING FIXTURE. RETAIN THESE INSTRUCTIONS FOR FUTURE REFERENCE.**

RAB fixtures must be wired in accordance with the National Electrical Code and all applicable local codes. Proper grounding is required for safety. This product must be installed in accordance with the applicable installation code by a person familiar with the construction and operation of the product and the hazards involved.

**WARNING: Make certain power is OFF before installing or maintaining fixture.**

### FLAT WALL MOUNT, NO ARM

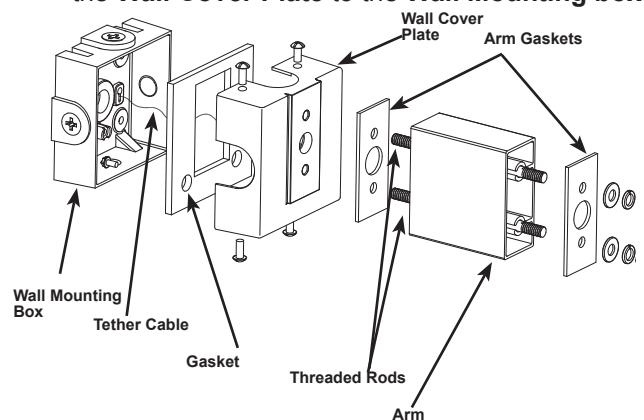
1. Open the fixture door and remove ballast cover.
2. Mount the **Wall Cover Plate** to the fixture with the hardware (bolts, washers & lock washers) and **Gasket** provided.
3. Mount the **Wall Mounting Box**:
  - a. Feed supply wires through the **Wall Mounting Box**. Orient box with "TOP" on the top.
  - b. Secure to a sturdy wall with hardware appropriate for the mounting surface.
  - c. Bring fixture up to the **Wall Mounting Box** and slide the **Tether Cable** from fixture & **Wall Cover Plate** assembly in to the keyhole slot for hands free wiring.
  - d. Wire the fixture using UL approved wire connectors and according to NEC and local codes.
  - e. Place wired fixture over the **Wall Mount Box** and tighten the top (2) screws, then tighten the lower (2) screws. Apply sealant to all unused conduit entry points.



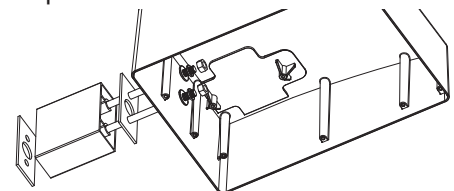
Note: These instructions do not cover all details or variations in equipment nor do they provide for every possible situation during installation, operation or maintenance.

### WALL MOUNT WITH ARM

1. Open the fixture door and remove the ballast cover.
2. Mount Arm Assembly to Fixture:
  - a. Thread the **Threaded Rods** into the **Wall Cover Plate**. Tighten securely.
  - b. Place **Arm Gasket**, **Arm** and 2nd **Arm Gasket** onto the **Threaded Rods** as shown.
  - c. Feed the fixture wires through the **Arm**, through the **Wall Cover Plate** to the **Wall Mounting box**.



3. Mount Arm Assembly to the fixture. Secure the **Threaded Rods** with flat washers, lock washers and nuts provided on the inside of the fixture.



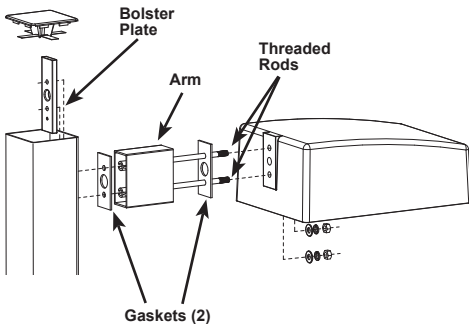
4. To mount the **Wall Mounting Box** and hang the fixture, refer to steps "a" thru "e" in the "Flat Wall Mount, No Arm" section.

## AJ<sup>™</sup> AREA LIGHT INSTALLATION INSTRUCTIONS

### MOUNTING ONE AJ FIXTURE DIRECTLY TO POLE

Fixed Arm mounting directly to 4" or larger square steel pole.

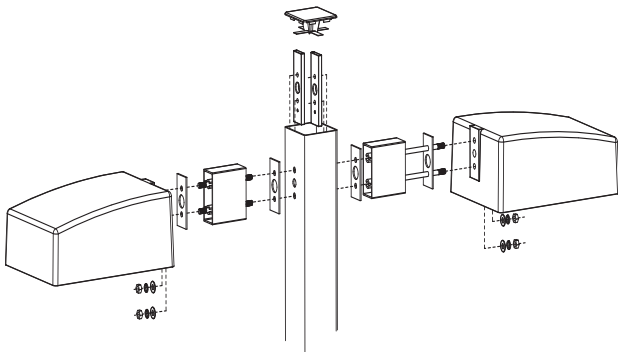
1. Open fixture door and remove ballast cover.
2. Insert **Threaded Rods** into the pole and thread into the **Bolster Plate**. Tighten securely.
3. Feed wires from fixture through **Gasket, Arm** and 2nd **Gasket** and into pole. Make connections and knot wires as a strain relief. Install pole cap.
4. Line up extrusion slots with the **Threaded Rods** and slide **Arm** and fixture on **Threaded Rods**.
5. Place flat washers, lock washers and nuts on the **Threaded Rods** inside the fixture and tighten securely.



### MOUNTING TWO AJ FIXTURES AT 180° DIRECTLY TO POLE

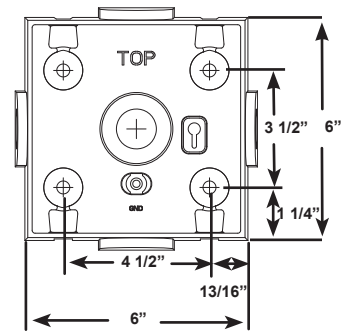
Fixed Arm direct pole mounting of two fixtures at 180 degrees as shown below.

See steps 1-5 in "MOUNTING (1) AJ FIXTURE DIRECTLY TO POLE" section. Follow for each fixture



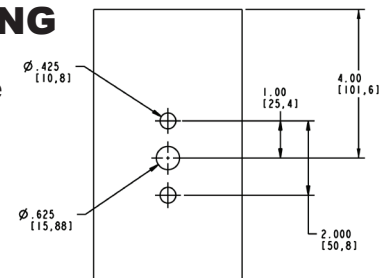
### WALL MOUNT DETAIL

For Wall and Flat Wall mounting.



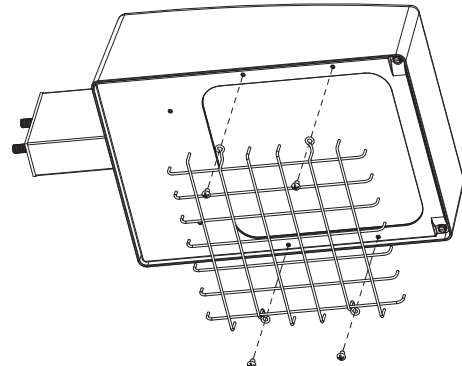
### POLE DRILLING DETAIL

For mounting to a pole not drilled at RAB.



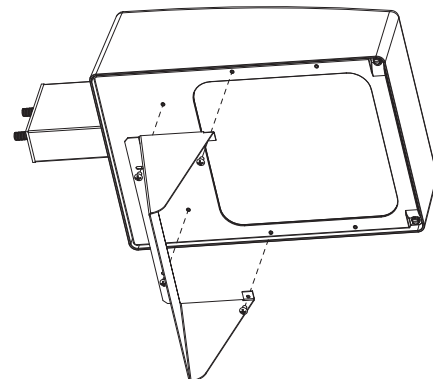
### GUARD INSTALLATION

Mount guard to door as shown below with four screws and split lock washers. Hardware provided with guard.



### HOUSE SIDE SHIELD INSTALLATION

Mount shield to door as shown below with four screws and split lock washers. Hardware provided with shield.



## AJ<sup>™</sup> AREA LIGHT INSTALLATION INSTRUCTIONS

### LAMP INSTALLATION

CAUTION: Prior to installing, check that the lamp is the correct ANSI type and wattage. Observe lamp manufacturer's recommendations on lamp operation, ballast type and burning positions.

1. Disconnect power. Make sure fixture and lamp are cool enough to touch.
2. Open door by loosening door screws. Swing door down on hinges.
3. Fully screw the lamp into the socket.
4. Before closing door, make sure door gasket is properly seated all around the door.
5. Close door and tighten door screws.

### TROUBLESHOOTING

1. Is the proper lamp installed? Check the wattage and ANSI code on the fixture label against markings on the lamp. Refer to Replacement Lamp table for verification.
2. Make sure the lamp is not defective. Try a lamp known to be in operating condition.
3. Check that the line voltage at fixture is correct. Refer to wiring directions.
4. Is there voltage at the lamp socket? If there is no voltage, check all connections.
5. Is the fixture grounded properly?
6. Is the photocell functioning properly (if used)?

### CLEANING & MAINTENANCE

CAUTION: Be sure fixture temperature is cool enough to touch. Do not clean or maintain while fixture is energized.

1. Clean glass lens with non-abrasive glass cleaning solution.
2. As lamps age, light output diminishes. Mass re-lamping at regular intervals ensures full light output at the highest efficiency.

### REPLACEMENT LAMPS AND BALLASTS

Wattage	RAB Lamp Catalog#	ANSI Code	RAB Ballast Catalog#
<b>High Pressure Sodium</b>			
35	LHPS35	S76	BHPSN35
50	LHPS50	S68	BHPSH50DT
70	LHPS70	S62	BHPSH70QT
100	LHPS100	S54	BHPSH100QT
150	LHPS150	S55	BHPSH150QT

#### Metal Halide

50PS	LMH50	M110	BMHH50QT
70PS	LMH70	M98	BMHH70QT
100PS	LMH100	M90	BMHH100QT
125PS	LMH125PS	M150	BMHH125PSQ
150	LMH150	M107	BMHH150QT
150PS	LMH150PS	M102	BMHH150PSQ

#### Compact Fluorescent

13	LCFL13-4P	BCFL13-4E
18	LCFL18	BCFL18
26	LCFL26	BCFL42
32	LCFL32	BCFL42
42	LCFL42	BCFL42
52	LCFL26	BCFL2X42
64	LCFL32	BCFL2X42
84	LCFL42	BCFL2X42

#### Electronic Metal Halide - Philips CosmoPolis

60	LEMH60CP	BEMH60
90	LEMH90CP	BEMH90
140	LEMH140CP	BEMH140

### ACCESSORIES AND REPLACEMENT PARTS

House Side Shield:	AJHS7, AJHS7W
Bolster Plate:	ALXBP
Wire Guard:	GDAJW

RAB fixture designs are protected under U.S. and International Intellectual Property laws.

Pole Mount: US: pat. D591,445, CA: D127,045, CN: Pat pending  
 MX: 28577 TW: D131,622  
 Wall Mount: US: pat. D579,140, CA: D127,031,  
 CN: ZL200830143714.3, MX: 27395. TW: pat. D129,808  
 Flat Wall Mount: US: pat. D579,141, CA: D127,040  
 CN: ZL2009301143713.9, MX: 28572, TW: D129,808

