



LED efficiency and performance in an economical 2'x2' center basket troffer.

Color: White

Weight: 13.7 lbs

Project:	Type:
Prepared By:	Date:

Driver Info		LED Info	
Type:	Constant Current	Watts:	29W
120V:	0.24A	Color Temp:	4000K
208V:	0.15A	Color Accuracy:	85 CRI
240V:	0.13A	L70 Lifespan:	100000
277V:	0.11A	Lumens:	3765
Input Watts:	29W	Efficacy:	129 LPW
Efficiency:	99%		

Technical Specifications

Listings

CCEA Compliant:

Luminaire Requirements used in Environmental Air Space per the electrical code specification of the City of Chicago

UL Listing:

Suitable for damp locations

DLC Listed:

This product is listed by Design Lights Consortium (DLC) as an ultra-efficient premium product that qualifies for the highest tier of rebates from DLC Member Utilities.

DLC Product Code: PC4KH4TS

IESNA LM-79 & IESNA LM-80 Testing:

RAB LED luminaires have been tested by an independent laboratory in accordance with IESNA LM-79 and 80, and have received the Department of Energy "Lighting Facts" label.

Electrical

Driver:

Class 2, Constant Current, 100-277V, 50/60Hz, 120V: 0.201A, 208V: 0.24A, 240V: 0.13A, 277V: 0.11A, THD <15%, Power Factor >90%, 4kV surge protection

Dimming Driver:

Driver includes dimming control wiring for 0-10V dimming systems. Requires separate 0-10V DC dimming circuit. Dims as low as 10%.

THD:

14.3% at 120V, 12.0% at 277V

Power Factor:

98.8% at 120V, 92.8% at 277V

Construction

Ambient Temperature:

Suitable for 40°C (104°F) ambient temperatures

IC Rating:

Suitable for direct contact with insulation

Housing:

Die-formed, 20-gauge, cold-rolled steel

Mounting:

Integral T-grid clips make installation easy and secure

Reflector:

High-reflectance, powder-coated finish, optimized for uniform distribution

Lens:

Snap-in, frosted polycarbonate lens

Finish:

Formulated for high-durability and long lasting color.

Green Technology:

Mercury and UV free. RoHS compliant components. Polyester powder coat finish formulated without the use of VOC or toxic heavy metals.

LED Characteristics

LEDs:

Long-life, high-efficiency surface mounting LEDs

Lifespan:

100,000-hour LED lifespan based on IES LM-80 results and TM-21 calculations.

Color Stability:

LED color temperature is warranted to shift no more than 200K in CCT over a 5 year period.

Color Uniformity:

RAB's range of CCT (Correlated Color Temperature) follows the guidelines of the American National Standard for Specifications for the Chromaticity of Solid State Lighting (SSL) Products, ANSI C78.377-2015.

Replacement:

Replaces (3) F17 T8 or (3) F14 T5

Other

Warranty:

RAB warrants that our LED products will be free from defects in materials and workmanship for a period of five (5) years from the date of delivery to the end user, including coverage of light output, color stability, driver performance and fixture finish.

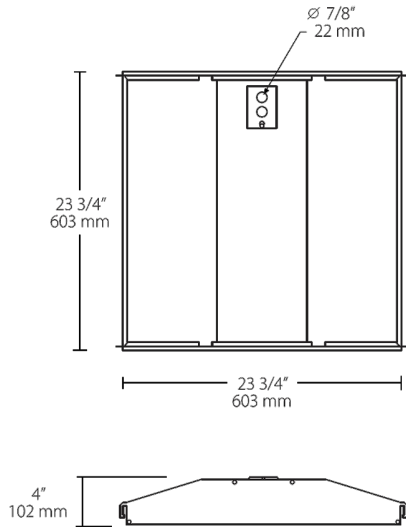
Patents:

This design is protected by patents pending in US, Canada, China, Taiwan and Mexico.

Buy American Act Compliance:

RAB values USA manufacturing! Upon request, RAB may be able to manufacture this product to be compliant with the Buy American Act (BAA). Please contact customer service to request a quote for the product to be made BAA compliant.

Dimensions



Features

- Ultra-efficient performance with DLC Premium listing
- Optional surface mount and drywall frame kits available
- Optional programmable occupancy sensor for multi-level lighting control
- 0-10V dimming standard on all models
- 100,000-hour LED lifespan 5-year warranty

Ordering Matrix

Family	Size	Watts	Color Temp	Dimming	Sensor
SWISH	2X2	29	N	/D10	
	2X2 = 2' x 2'	19 = 19W 29 = 29W	Y = 3000K (Warm) YN = 3500K (Warm Neutral) N = 4000K (Neutral)	/D10 = Dimmable	Blank = No Occupancy Sensor /MVS = Occupancy Sensor