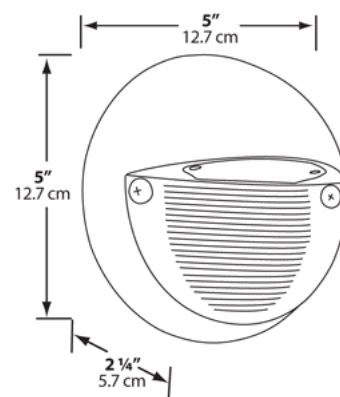


# SLEDR5NW

Round LED Step Lights Equivalent to 13 Watt CFL or 40 Watt incandescent. Applications for steps, decks, landscape and entries. Meets ADA requirements. 5 Year warranty.

Color: White

Weight: 1.2 lbs



## LED Info

Watts: 5W  
 Color Temp: 4000K (Neutral)  
 Color Accuracy: 85  
 L70 Lifespan: 100000  
 LM79 Lumens: 159  
 Efficacy: 30 LPW

## Driver Info

Type: Constant Current  
 120V: 0.1A  
 208V: 0.06A  
 240V: 0.05A  
 277V: N/A  
 Input Watts: 5W  
 Efficiency: 96%

## Technical Specifications

### UL Listing:

Suitable for wet locations. Suitable for mounting within 4ft. of the ground.

### Lifespan:

100,000-hour LED lifespan based on IES LM-80 results and TM-21 calculations.

### Voltage:

100V - 240V.

### Finish:

Our environmentally friendly polyester powder coatings are formulated for high-durability and long-lasting color, and contains no VOC or toxic heavy metals.

### Driver:

4W high output long life LED. Driver Constant Current, Class 2, 50-60 Hz, 100-240 VAC 0.18 amps.

### Thermal Management:

Integral cast aluminum mounting pad for optimum heat sinking to ensure cool operation with maximum LED life and light output.

### Cold Weather Starting:

The minimum starting temperature is -40°F/-40°C.

### Ambient Temperature:

Suitable for use in 40°C (104°F) ambient temperatures.

### Green Technology:

Mercury, Arsenic and UV free.

### Color Consistency:

3-step MacAdam Ellipse binning to achieve consistent fixture-to-fixture color.

### Lumen Maintenance:

The LED will deliver 70% of its initial lumens at 100,000 hours of operation.

### Housing:

Precision die cast aluminum housing and mounting plate (junction box not included).

### Surge Protection:

1000 Volts.

### IESNA LM-79 & IESNA LM-80 Testing:

RAB LED luminaires have been tested by an independent laboratory in accordance with IESNA LM-79 and 80, and have received the Department of Energy "Lighting Facts" label.

### Gasket:

High temperature silicone.

### Color Temperature (Nominal CCT):

4000K

### Equivalency:

The SLEDR5 is Equivalent in delivered lumens to a 13W CFL or 60W incandescent step light.

### HID Replacement Range:

The SLEDR5 can be used to replace 13-26W CFL or 13-60W incandescent step lights based on delivered lumens.

### Patents:

The design of the SLED Lights are protected by U.S. Pat. D612,974, CA Pat. 133100, and China Pat. ZL201030129138.4.

SLEDR5NW - continued

**Country of Origin:**

Designed by RAB in New Jersey and assembled in Taiwan.

**Trade Agreements Act Compliant:**

This product is a product of Taiwan and a "designated country" end product that complies with the Trade Agreements Act.

**GSA Schedule:**

Suitable in accordance with FAR Subpart 25.4.

**For use on LEED Buildings:**

IDA Dark Sky Approval means that this fixture can be used to achieve LEED Credits for Light Pollution Reduction.

**Dark Sky Approved:**

The International Dark Sky Association has approved this product as a full cutoff, fully shielded luminaire.

**Fixture Efficacy:**

31 Lumens per Watt

**Color Accuracy:**

85 CRI

