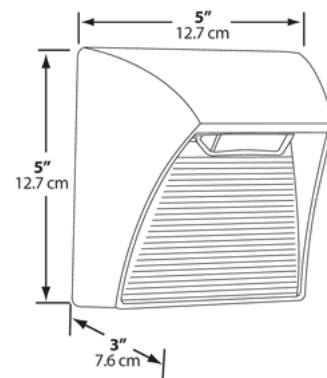


SLED5NDCW

Square LED Step Lights for solar applications or other 10-30VDC systems. Up to 85% more efficient than line voltage AC solutions. Available in 5W round square step lights.

Color: White

Weight: 1.5 lbs



LED Info

Watts: 5W
 Color Temp: 4000K (Neutral)
 Color Accuracy: 85
 L70 Lifespan: 100000
 LM79 Lumens: 155
 Efficacy: 30 LPW

Driver Info

Type: DC to DC
 120V: N/A
 208V: N/A
 240V: N/A
 277V: N/A
 Input Watts: 5W
 Efficiency: 96%

Technical Specifications

UL Listing:

Suitable for wet locations. Suitable for mounting within 4ft. of the ground.

Electrical Input Specifications:

Max Watts = 5.1W, Input Volts = 10-30V DC, Input Amps = 0.51 - 0.17A.

Lifespan:

100,000-hour LED lifespan based on IES LM-80 results and TM-21 calculations.

Finish:

Our environmentally friendly polyester powder coatings are formulated for high-durability and long-lasting color, and contains no VOC or toxic heavy metals.

Thermal Management:

Integral cast aluminum mounting pad for optimum heat sinking to ensure cool operation with maximum LED life and light output.

Cold Weather Starting:

The minimum starting temperature is -40°F/-40°C.

Ambient Temperature:

Suitable for use in 40°C (104°F) ambient temperatures.

Green Technology:

Mercury, Arsenic and UV free.

Color Consistency:

3-step MacAdam Ellipse binning to achieve consistent fixture-to-fixture color.

Lumen Maintenance:

The LED will deliver 70% of its initial lumens at 100,000 hours of operation.

Housing:

Precision die cast aluminum housing and mounting plate (junction box not included).

Surge Protection:

1000 Volts.

IESNA LM-79 & IESNA LM-80 Testing:

RAB LED luminaires have been tested by an independent laboratory in accordance with IESNA LM-79 and 80, and have received the Department of Energy "Lighting Facts" label.

Gasket:

High temperature silicone.

Color Temperature (Nominal CCT):

4000K

Equivalency:

The SLED5 is Equivalent in delivered lumens to a 13W CFL or 60W incandescent step light.

HID Replacement Range:

The SLED5 can be used to replace 13-26W CFL or 13-60W incandescent step lights based on delivered lumens.

Patents:

The design of the SLED Lights are protected by U.S. Pat. 612,975, Canada Pat. 133101, and China Pat. ZL201030129140.1.

For use on LEED Buildings:

IDA Dark Sky Approval means that this fixture can be used to achieve LEED Credits for Light Pollution Reduction.

SLED5NDCW - continued

Dark Sky Approved:

The International Dark Sky Association has approved this product as a full cutoff, fully shielded luminaire.

Fixture Efficacy:

31 Lumens per Watt

Color Accuracy:

85 CRI

Country of Origin:

Designed by RAB in New Jersey and assembled in the USA by RAB's IBEW Local 3 workers.

Buy American Act Compliant:

This product is a COTS item manufactured in the United States, and is compliant with the Buy American Act.

Recovery Act (ARRA) Compliant:

This product complies with the 52.225-21 "Required Use of American Iron, Steel, and Manufactured Goods-- Buy American Act-- Construction Materials (October 2010).

Trade Agreements Act Compliant:

This product is a COTS item manufactured in the United States, and is compliant with the Trade Agreements Act.

