

STEALTH Sensor with special 200° detection pattern to provide wide coverage side to side. Excellent for building perimeter protection. Lens masks allow customization of detection zone.

Color: White

Weight: 1.1 lbs

<b>Project:</b>	<b>Type:</b>
<b>Prepared By:</b>	<b>Date:</b>

## Technical Specifications

### Listings

#### UL Listed:

Raintight Photoelectric Switch

### Electrical

#### Switching Capacity:

8 amps

#### Voltage:

277 volts  
300 watts LED

### Surge Protection:

I.E.C specs

### Sensor Specifications

#### Detection Pattern:

50' x 200°

#### Time Adjustment:

5 seconds to 12 minutes

### Power Consumption:

1 watt

### Other

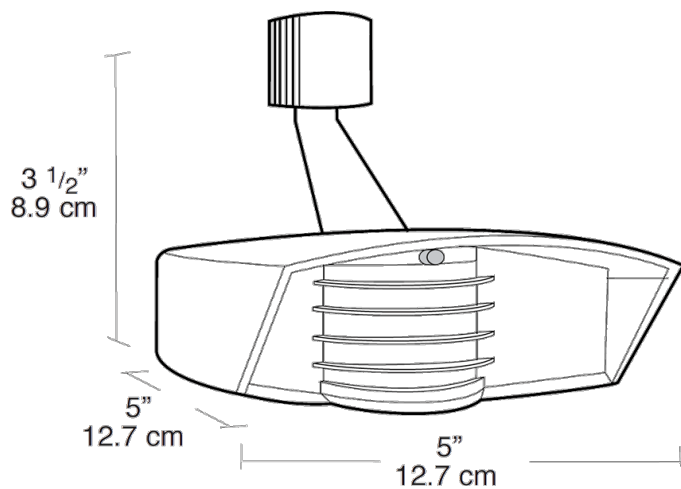
#### Warranty:

10 year sensor warranty

#### Buy American Act Compliance:

RAB values USA manufacturing! Upon request, RAB may be able to manufacture this product to be compliant with the Buy American Act (BAA). Please contact customer service to request a quote for the product to be made BAA compliant.

## Dimensions



## Features

- Temperature compensation
- Radio frequency immunity
- 6000 volt surge protection
- LED detection & "on guard" indicator
- Color matched vandal resistant lens and grill
- Protected manual override with auto reset
- Can be wired in parallel