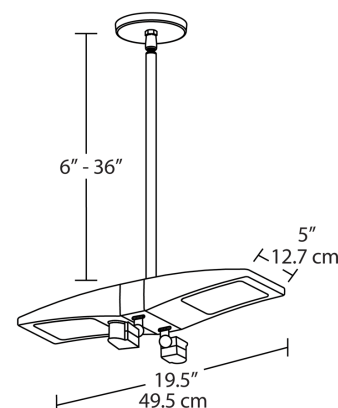


# PLED2X13NMS2

High performance pendant LED downlight with mini sensor. Bi-level option available. Pendant mount with hang-straight and 6", 12" and 18" stems included. Stems can be combined up to 36" max length.

Color: Bronze

Weight: 7.1 lbs



## LED Info

Watts: 26W  
 Color Temp: 4000K (Neutral)  
 Color Accuracy: 86  
 L70 Lifespan: 100000  
 LM79 Lumens: 1340  
 Efficacy: 44 LPW

## Driver Info

Type: Constant Current  
 120V: 0.26A  
 208V: N/A  
 240V: N/A  
 277V: N/A  
 Input Watts: 30W  
 Efficiency: 86%

## Technical Specifications

### UL Listing:

Suitable for Damp Locations.

### Lifespan:

100,000-hour LED lifespan based on IES LM-80 results and TM-21 calculations.

### Recommended Mounting Height:

8-10'.

### Mounting:

3 mounting stems included. 6", 12" and 18" can be combined to achieve a maximum length of 36". 42" of wire supplied. The pendants thread into a hang-straight, leveling the fixture. Pendant outside diameter is 1". Threads are 3/8". Circular canopy included.

### LEDs:

(2) 13W Multi-chip high-output, long-life LED.

### Drivers (2):

Constant Current, Class 2, 100V-277V, 50/60 Hz, 4kv Surge Protection, 720mA, 100-240VAC 0.3-0.15 Amps, 277VAC 0.3 Amps, THD less than equal to 20%, Power Factor 97.5%.

### Thermal Management:

Cast aluminum Thermal Management system for optimal heat sinking. Designed for cool operation, most efficient output and maximum LED life by minimizing LED junction temperature.

### Housing:

Precision die cast aluminum housing and lens framing.

### Finish:

White or bronze Our environmentally friendly polyester powder coatings are formulated for high-durability and long-lasting color, and contains no VOC or toxic heavy metals.

### Green Technology:

Mercury and UV free, and RoHS compliant.

### Patents:

RAB PLED2X13 are protected by patents in US pat. D615,689 CN ZL201030129125 MX 32130 TW pat. D139033.

### Warranty:

RAB warrants that our LED products will be free from defects in materials and workmanship for a period of five (5) years from the date of delivery to the end user, including coverage of light output, color stability, driver performance and fixture finish.

### Color Consistency:

3-step MacAdam Ellipse binning to achieve consistent fixture-to-fixture color.

### Color Stability:

LED color temperature is warranted to shift no more than 200K in CCT over a 5 year period.

### Color Uniformity:

RAB's range of CCT (Correlated color temperature) follows the guidelines of the American National Standard for Specifications for the Chromaticity of Solid State Lighting (SSL) Products, ANSI C78.377-2011.

### Fixture Efficacy:

44 Lumens per Watt

PLED2X13NMS2 - continued

**Color Accuracy:**

86 CRI

**Color Temperature (Nominal CCT):**

4000K

**California Title 24:**

PLED complies with California Title 24 building and electrical codes.

**IESNA LM-79 & IESNA LM-80 Testing:**

RAB LED luminaires have been tested by an independent laboratory in accordance with IESNA LM-79 and LM-80, and have received the Department of Energy "Lighting Facts" label.

**Equivalency:**

The PLED2X10 is Equivalent in delivered lumens to a 32W CFL Pendant.

**HID Replacement Range:**

The PLED2X10 can be used to replace 32-42W CFL, or up to 70W Metal Halide Pendants based on delivered lumens.

**Voltage:**

120 volts AC 60 Hz.

**Sensor Switching Capacity:**

5 Amps, 450 Watts LED @ 120 Volts 0.8pF Driver; 5 Amps, 300 Watts LED @ 120 Volts 0.5pF Driver.

**Sensor Time Adjustment:**

5 seconds to 15 minutes.

**Sensor Quick Test Time:**

5 second test time for fast installation. Works day or night.

**Sensor "No Hands" Auto Testing:**

Auto mode starts after 4 minutes of testing. No adjustment needed.

**Sensor Photoelectric Control:**

Deactivates lights during daylight. Fully adjustable for 24 hour operation or custom applications.

**Sensor LED Detection Indicator:**

LED glows red day & night for "on guard" deterrence.

**Sensor RF Immunity:**

Circuits fully shielded for maximum radio frequency immunity.

**Sensor Ratings:**

5 amps.

**Sensor Power Consumption:**

Negligible

**Sensor Manual Switch:**

None.

**Sensor Ambient Light Sensing:**

Adjustable.

**Sensor Adjustments:**

Time, ambient light & sensitivity.

**Sensor Detection:**

360° detection pattern.

**Country of Origin:**

Designed by RAB in New Jersey and assembled in the USA by RAB's IBEW Local 3 workers.

**Buy American Act Compliant:**

This product is a COTS item manufactured in the United States, and is compliant with the Buy American Act.

**Recovery Act (ARRA) Compliant:**

This product complies with the 52.225-21 "Required Use of American Iron, Steel, and Manufactured Goods-- Buy American Act-- Construction Materials (October 2010).

**Trade Agreements Act Compliant:**

This product is a COTS item manufactured in the United States, and is compliant with the Trade Agreements Act.

**GSA Schedule:**

Suitable in accordance with FAR Subpart 25.4.

