

Upscale design, high-end performance, undeniable value. BOA is designed with proprietary optics that deliver maximum lumens and conceal the LED light sources behind the lens to create a pleasing dimensional illuminance with soft blended beam edges. Mounting hardware included.

Color: Silver

Weight: 6.1 lbs

Project:

Type:

Prepared By:

Date:

#### Driver Info

Type: Constant Current  
 120V: 0.16A  
 208V: 0.12A  
 240V: 0.11A  
 277V: 0.10A  
 Input Watts: 18W  
 Efficiency: N/A

#### LED Info

Watts: 20W  
 Color Temp: 3000K (Warm)  
 Color Accuracy: 86 CRI  
 L70 Lifespan: 100,000  
 Lumens: 1,318  
 Efficacy: 74 LPW

## Technical Specifications

### Listings

#### UL Listing:

Suitable for damp locations. Recommended for indoor use only.

#### IESNA LM-79 & LM-80 Testing:

RAB LED luminaires have been tested by an independent laboratory in accordance with IESNA LM-79 and LM-80, and have received the Department of Energy "Lighting Facts" label.

### Electrical

#### Drivers:

120 - 277V, 0 - 10V dimming down to 10%, 93.7% power factor, 1 kV surge protection

#### Electrical Connection:

Includes 5 conductor 300V rated 12' long electrical cable

### Optical

#### Reflector:

40° reflector

#### Aperture:

2.5"

### Construction

#### Housing:

Precision extruded aluminum

#### Lens:

High-transmission, microprismatic acrylic lens for smooth light distribution and uniformity

#### Finish:

Our environmentally friendly polyester powder coatings are formulated for high-durability and long-lasting color, and contains no VOC or toxic heavy metals.

#### Green Technology:

Mercury and UV free, and RoHS compliant. Polyester powder coat finish formulated without the use of VOC or toxic heavy metals.

#### Mounting:

12' of aircraft cable provided with cable grippers for easy adjustment after installation

### LED Characteristics

#### LEDs:

Discreet LEDs on PCB board

#### Lifespan:

100,000-hour LED lifespan based on IES LM-80 results and TM-21 calculations.

#### Color Consistency:

3-step MacAdam Ellipse binning to achieve consistent fixture-to-fixture color.

#### Color Stability:

LED color temperature is warranted to shift no more than 200K in CCT over a 5 year period

#### Color Uniformity:

RAB's range of CCT (Correlated color temperature) follows the guidelines of the American National Standard for Specifications for the Chromaticity of Solid State Lighting (SSL) Products, ANSI C78.377-2015.

### Other

#### Warranty:

RAB warrants that our LED products will be free from defects in materials and workmanship for a period of five (5) years from the date of delivery to the end user, including coverage of light output, color stability, driver performance and fixture finish.

#### BOA LED Architectural Slot with Dimmable Driver:

Driver includes dimming control wiring for 0-10V dimming systems. Requires separate 0-10V DC dimming circuit. Dims as low as 10%.

#### California Title 24:

BOA complies with 2013 California Title 24 building and electrical codes as a commercial indoor fixture for general spaces when used with a vacancy sensor and 0-10V dimming control. Select a vacancy sensor using catalog number LVS800. 0-10V dimmer provided by others.

#### Country of Origin:

Designed by RAB in New Jersey and assembled in California.

#### Buy American Act Compliant:

This product is a COTS item manufactured in the United States, and is compliant with the Buy American Act.

#### Recovery Act (ARRA) Compliant:

This product complies with the 52.225-21 "Required Use of American Iron, Steel, and Manufactured Goods-- Buy American Act-- Construction Materials (October 2010).

#### Trade Agreements Act Compliant:

This product is a COTS item manufactured in the United States, and is compliant with the Trade Agreements Act.

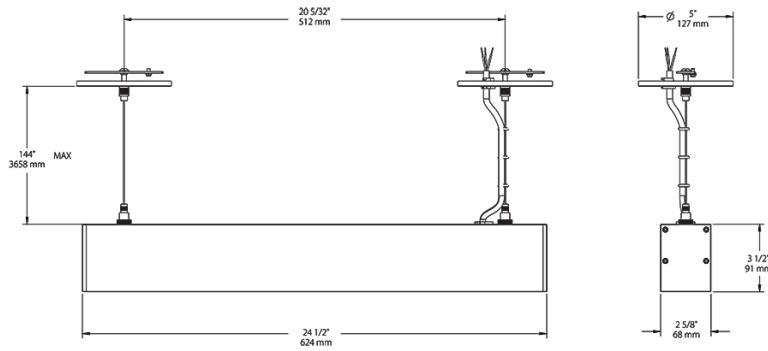
#### GSA Schedule:

Suitable in accordance with FAR Subpart 25.4.

# BOA2P-20D10-40Y-S



## Dimensions



## Features

- All mounting hardware included:
- 12 foot aircraft cables, ceiling canopies and height adjusting cable grippers.
- 3-step binning for color consistency
- 0-10V dimming standard
- 100,000-Hour LED lifespan

## Ordering Matrix

Family	Length	Mount	Watts	Dimming	Reflector	Color Temp	Finish
BOA	2 = 2 ft	P = Pendant	10 = 10W 20 = 20W	D10 = Dimmable	40 = 40° Reflector	Y = 3000K (Warm) YN = 3500K (Warm Neutral) N = 4000K (Neutral)	B = Black W = White S = Silver