

Upscale design, high-end performance, undeniable value. BOA is designed with proprietary optics that deliver maximum lumens and conceal the LED light sources behind the lens to create a pleasing dimensional illuminance with soft blended beam edges. Mounting hardware included.

Color: Silver

Weight: 6.1 lbs

Project:

Type:

Prepared By:

Date:

Driver Info

Type: Constant Current
 120V: 0.08A
 208V: 0.06A
 240V: 0.05A
 277V: 0.05A
 Input Watts: 10W
 Efficiency: N/A

LED Info

Watts: 10W
 Color Temp: 3500K
 Color Accuracy: 84 CRI
 L70 Lifespan: 100,000
 Lumens: 731
 Efficacy: 76 LPW

Technical Specifications

Listings

UL Listing:

Suitable for damp locations. Recommended for indoor use only.

IESNA LM-79 & LM-80 Testing:

RAB LED luminaires have been tested by an independent laboratory in accordance with IESNA LM-79 and LM-80, and have received the Department of Energy "Lighting Facts" label.

Electrical

Drivers:

120 - 277V, 0 - 10V dimming down to 10%, 93.7% power factor, 1 kV surge protection

Electrical Connection:

Includes 5 conductor 300V rated 12' long electrical cable

Optical

Reflector:

40° reflector

Aperture:

2.5"

Construction

Housing:

Precision extruded aluminum

Lens:

High-transmission, microprismatic acrylic lens for smooth light distribution and uniformity

Finish:

Our environmentally friendly polyester powder coatings are formulated for high-durability and long-lasting color, and contains no VOC or toxic heavy metals.

Green Technology:

Mercury and UV free, and RoHS compliant. Polyester powder coat finish formulated without the use of VOC or toxic heavy metals.

Mounting:

12' of aircraft cable provided with cable grippers for easy adjustment after installation

LED Characteristics

LEDs:

Discreet LEDs on PCB board

Lifespan:

100,000-hour LED lifespan based on IES LM-80 results and TM-21 calculations.

Color Consistency:

3-step MacAdam Ellipse binning to achieve consistent fixture-to-fixture color.

Color Stability:

LED color temperature is warranted to shift no more than 200K in CCT over a 5 year period

Color Uniformity:

RAB's range of CCT (Correlated color temperature) follows the guidelines of the American National Standard for Specifications for the Chromaticity of Solid State Lighting (SSL) Products, ANSI C78.377-2015.

Other

Warranty:

RAB warrants that our LED products will be free from defects in materials and workmanship for a period of five (5) years from the date of delivery to the end user, including coverage of light output, color stability, driver performance and fixture finish.

BOA LED Architectural Slot with Dimmable Driver:

Driver includes dimming control wiring for 0-10V dimming systems. Requires separate 0-10V DC dimming circuit. Dims as low as 10%.

California Title 24:

BOA complies with 2013 California Title 24 building and electrical codes as a commercial indoor fixture for general spaces when used with a vacancy sensor and 0-10V dimming control. Select a vacancy sensor using catalog number LVS800. 0-10V dimmer provided by others.

Country of Origin:

Designed by RAB in New Jersey and assembled in California.

Buy American Act Compliant:

This product is a COTS item manufactured in the United States, and is compliant with the Buy American Act.

Recovery Act (ARRA) Compliant:

This product complies with the 52.225-21 "Required Use of American Iron, Steel, and Manufactured Goods-- Buy American Act-- Construction Materials (October 2010).

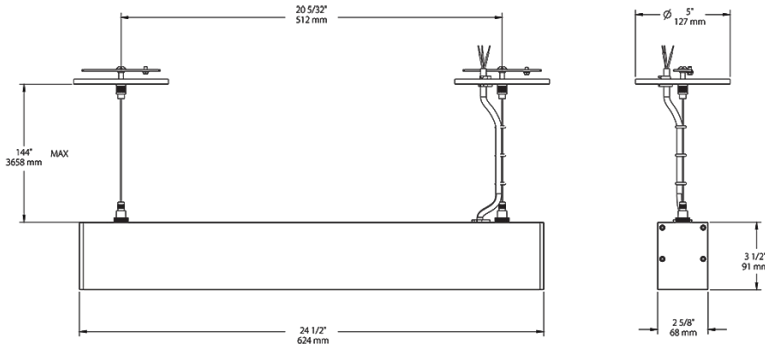
Trade Agreements Act Compliant:

This product is a COTS item manufactured in the United States, and is compliant with the Trade Agreements Act.

GSA Schedule:

Suitable in accordance with FAR Subpart 25.4.

Dimensions



Features

- All mounting hardware included:
- 12 foot aircraft cables, ceiling canopies and height adjusting cable grippers.
- 3-step binning for color consistency
- 0-10V dimming standard
- 100,000-Hour LED lifespan

Ordering Matrix

Family	Length	Mount	Watts	Dimming	Reflector	Color Temp	Finish
BOA	2 = 2 ft	P = Pendant	10 = 10W 20 = 20W	D10 = Dimmable	40 = 40° Reflector	Y = 3000K (Warm) YN = 3500K (Warm Neutral) N = 4000K (Neutral)	B = Black W = White S = Silver