



Upscale design, high-end performance, undeniable value. BOA is designed with proprietary optics that deliver maximum lumens and conceal the LED light sources behind the lens to create a pleasing dimensional illuminance with soft blended beam edges. Mounting hardware included.

Color: Black

Weight: 6.1 lbs

Project:

Type:

Prepared By:

Date:

Driver Info

Type: Constant Current
 120V: 0.08A
 208V: 0.06A
 240V: 0.05A
 277V: 0.05A
 Input Watts: 9W
 Efficiency: N/A

LED Info

Watts: 10W
 Color Temp: 4000K (Neutral)
 Color Accuracy: 83 CRI
 L70 Lifespan: 100,000
 Lumens: 754
 Efficacy: 80 LPW

Technical Specifications

Listings

UL Listing:

Suitable for damp locations. Recommended for indoor use only.

IESNA LM-79 & LM-80 Testing:

RAB LED luminaires have been tested by an independent laboratory in accordance with IESNA LM-79 and LM-80, and have received the Department of Energy "Lighting Facts" label.

Electrical

Drivers:

120 - 277V, 0 - 10V dimming down to 10%, 93.7% power factor, 1 kV surge protection

Electrical Connection:

Includes 5 conductor 300V rated 12' long electrical cable

Optical

Reflector:

40° reflector

Aperture:

2.5"

Construction

Housing:

Precision extruded aluminum

Lens:

High-transmission, microprismatic acrylic lens for smooth light distribution and uniformity

Finish:

Our environmentally friendly polyester powder coatings are formulated for high-durability and long-lasting color, and contains no VOC or toxic heavy metals.

Green Technology:

Mercury and UV free, and RoHS compliant. Polyester powder coat finish formulated without the use of VOC or toxic heavy metals.

Mounting:

12' of aircraft cable provided with cable grippers for easy adjustment after installation

LED Characteristics

LEDs:

Discreet LEDs on PCB board

Lifespan:

100,000-hour LED lifespan based on IES LM-80 results and TM-21 calculations.

Color Consistency:

3-step MacAdam Ellipse binning to achieve consistent fixture-to-fixture color.

Color Stability:

LED color temperature is warranted to shift no more than 200K in CCT over a 5 year period

Color Uniformity:

RAB's range of CCT (Correlated color temperature) follows the guidelines of the American National Standard for Specifications for the Chromaticity of Solid State Lighting (SSL) Products, ANSI C78.377-2015.

Other

Warranty:

RAB warrants that our LED products will be free from defects in materials and workmanship for a period of five (5) years from the date of delivery to the end user, including coverage of light output, color stability, driver performance and fixture finish.

Special Order:

Available in 6-8 weeks by special request.

BOA LED Architectural Slot with Dimmable Driver:

Driver includes dimming control wiring for 0-10V dimming systems. Requires separate 0-10V DC dimming circuit. Dims as low as 10%.

California Title 24:

BOA complies with 2013 California Title 24 building and electrical codes as a commercial indoor fixture for general spaces when used with a vacancy sensor and 0-10V dimming control. Select a vacancy sensor using catalog number LVS800. 0-10V dimmer provided by others.

Country of Origin:

Designed by RAB in New Jersey and assembled in California.

Buy American Act Compliant:

This product is a COTS item manufactured in the United States, and is compliant with the Buy American Act.

Recovery Act (ARRA) Compliant:

This product complies with the 52.225-21 "Required Use of American Iron, Steel, and Manufactured Goods-- Buy American Act-- Construction Materials (October 2010).

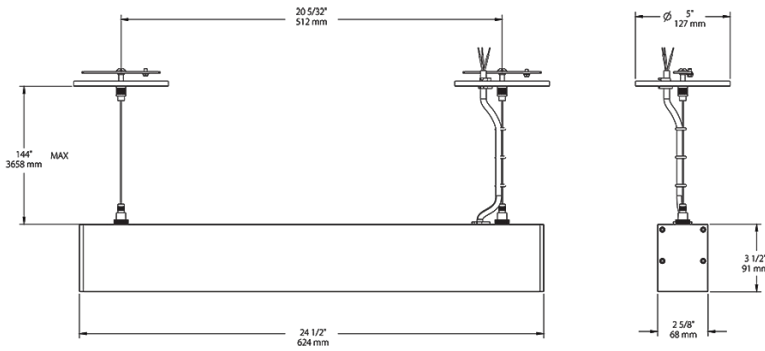
Trade Agreements Act Compliant:

This product is a COTS item manufactured in the United States, and is compliant with the Trade Agreements Act.

GSA Schedule:

Suitable in accordance with FAR Subpart 25.4.

Dimensions



Features

- All mounting hardware included:
- 12 foot aircraft cables, ceiling canopies and height adjusting cable grippers.
- 3-step binning for color consistency
- 0-10V dimming standard
- 100,000-Hour LED lifespan

Ordering Matrix

Family	Length	Mount	Watts	Dimming	Reflector	Color Temp	Finish
BOA	2 = 2 ft	P = Pendant	10 = 10W 20 = 20W	D10 = Dimmable	40 = 40° Reflector	Y = 3000K (Warm) YN = 3500K (Warm Neutral) N = 4000K (Neutral)	B = Black W = White S = Silver