



This ultra high efficiency LED garage light delivers up to 118 lumens per Watt. An integrated motion/photo sensor option provides multi-level lighting control. Available in 30, 42 and 55 Watt versions that replace 70 to 175 Watt metal halide fixtures.

Color: White

Weight: 10.6 lbs

<b>Project:</b>	<b>Type:</b>
<b>Prepared By:</b>	<b>Date:</b>

Driver Info		LED Info	
Type:	Constant Current	Watts:	30W
120V:	0.25A	Color Temp:	5000K (Cool)
208V:	0.13A	Color Accuracy:	74 CRI
240V:	0.12A	L70 Lifespan:	100,000
277V:	0.11A	Lumens:	3,455
Input Watts:	29W	Efficacy:	118 LPW
Efficiency:	N/A		

## Technical Specifications

### Listings

#### UL Listing:

Suitable for wet locations.

#### DLC Listed:

This product is on the Design Lights Consortium (DLC) Qualified Products List and is eligible for rebates from DLC Member Utilities.

#### IESNA LM-79 & LM-80 Testing:

RAB LED luminaires have been tested by an independent laboratory in accordance with IESNA LM-79 and LM-80, and have received the Department of Energy "Lighting Facts" label.

### Electrical

#### Drivers:

Constant Current, Class 2 100V - 277V, 50/60 Hz. THD <20%.

### Construction

#### Lens:

Frosted polycarbonate

#### Gaskets:

High temperature silicone.

#### IP Rating:

Ingress Protection rating of IP66 for dust and water.

#### Ambient Temperature:

Suitable for use in 40°C ambient temperatures.

#### Finish:

Our environmentally friendly polyester powder coatings are formulated for high-durability and long-lasting color, and contains no VOC or toxic heavy metals.

#### Cold Weather Starting:

Minimum starting temperature is -40°F/-40°C.

#### Thermal Management:

Superior thermal management with external Air-Flow fins.

#### Housing:

Die-cast aluminum and sheetmetal housing

#### Mounting:

Die-cast aluminum backbox with (4) 1/2" conduit openings with plugs. Hinged tether for easy installation and wiring. Also accommodates 1/2" or 3/4" NPS pendants (provided by others).

#### Lens:

High-transmission and vandal-resistant polycarbonate frosted lens

#### Reflector:

Specular polycarbonate

#### Green Technology:

Mercury and UV free, and RoHS compliant. Polyester powder coat finish formulated without the use of VOC or toxic heavy metals.

### LED Characteristics

#### LEDs:

Long-life, high-efficiency surface mount LEDs

#### Lifespan:

100,000-hour LED lifespan based on IES LM-80 results and TM-21 calculations.

#### Color Consistency:

7-step MacAdam Ellipse binning to achieve consistent fixture-to-fixture color.

#### Color Stability:

LED color temperature is warranted to shift no more than 200K in CCT over a 5 year period

#### Color Uniformity:

RAB's range of CCT (Correlated color temperature) follows the guidelines of the American National Standard for Specifications for the Chromaticity of Solid State Lighting (SSL) Products, ANSI C78.377-2008.

### Other

#### Warranty:

RAB warrants that our LED products will be free from defects in materials and workmanship for a period of five (5) years from the date of delivery to the end user, including coverage of light output, color stability, driver performance and fixture finish.

#### Country of Origin:

Designed by RAB in New Jersey and assembled in the USA by RAB's IBEW Local 3 workers.

#### Buy American Act Compliant:

This product is a COTS item manufactured in the United States, and is compliant with the Buy American Act.

#### Recovery Act (ARRA) Compliant:

This product complies with the 52.225-21 "Required Use of American Iron, Steel, and Manufactured Goods-- Buy American Act-- Construction Materials (October 2010).

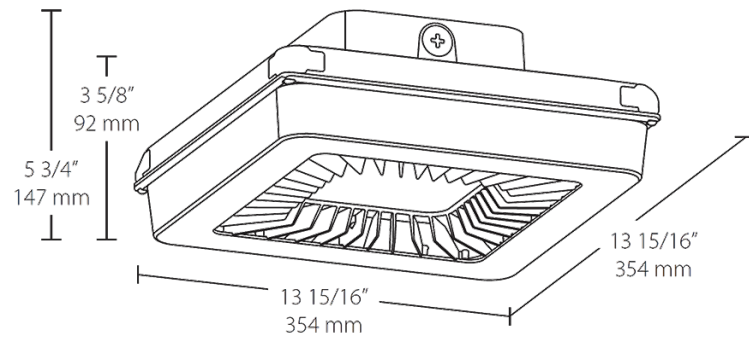
#### Trade Agreements Act Compliant:

This product is a COTS item manufactured in the United States, and is compliant with the Trade Agreements Act.

## Technical Specifications (continued)

<p><b>Other</b></p> <hr/> <p><b>GSA Schedule:</b> Suitable in accordance with FAR Subpart 25.4.</p> <p><b>PORTO LED Ceiling with Dimmable Driver:</b> Driver includes dimming control wiring for 0-10V dimming systems. Requires separate 0-10V DC dimming circuit. Dims as low as 10%.</p> <p><b>California Title 24:</b> PORTO models with multi-level motion sensor (/WS) complies with 2013 California Title 24 building and electrical codes as commercial indoor fixtures for corridors, stairwells, warehouses and covered parking garages.</p> <p><b>Sensor Specifications</b></p> <hr/> <p><b>Power Consumption:</b> 1W</p> <p><b>0-10V Sinking Current:</b> 50mA</p> <p><b>Adjustable High and Low Modes:</b> High: 0-10V; Low: off, 0-9.8V</p>	<p><b>Adjustable Time Delay:</b> Amount of time in high mode with no motion before switching to low mode: 5 min., 1 -30 min.</p> <p><b>Adjustable Cut Off Delay:</b> Time in which the fixture will remain on low mode with no motion before turning off and waiting for new motion to turn on: None, 1 -60 min., 1 -5 hrs.</p> <p><b>Adjustable Sensitivity:</b> None, low, medium, maximum</p> <p><b>Adjustable Setpoint:</b> None, 1 to 250 fc, auto</p> <p><b>Adjustable Ramp Up and Fade Down Times:</b> 1 to 60 sec.</p> <p><b>Operating Temperature:</b> -40°F/-40°C. to 167°F (-40°C to +75°C)</p>	<p><b>Operating Humidity:</b> 5% to 95% noncondensing</p> <p><b>Relay Life Rating:</b> 200,000 cycles (120/277VAC), 50,000 cycles (230VAC)</p> <p><b>IP Rating:</b> Ingress Protection rating of IP66 for dust and water.</p> <p><b>UL Listing:</b> Suitable for Wet Locations as factory installed.</p> <p><b>Handheld Wireless Configuration Tool:</b> Adjust settings using handheld wireless configuration tool. Only available with 0-10V dimming driver options.</p>
---	--	--

## Dimensions



## Features

- Ultra-high efficiency
- Pendant or surface mount
- IP 66 rated, keeps water and dust out
- Low glare, vandal-resistant polycarbonate lens
- 20% uplight eliminates "cave effect"
- 100,000-Hour LED lifespan
- 5-year warranty

## Ordering Matrix

Family	Watts	Color Temp	Finish	Dimming	Sensor	Voltage	Photocell
PRT	30 = 30W 42 = 42W 55 = 55W	Blank = Cool Y = Warm N = Neutral	Blank = Bronze W = White	Blank = No Dimming /D10 = Dimmable	/WS = Multi-Level Motion Sensor (Only available for 120-277V with /D10)	Blank = 120- 277V /480 = 480V	Blank = No Photocell /PCS = 120V Swivel /PCS2 = 277V Swivel /PCS4 = 480V Swivel