



Project:	Type:
Prepared By:	Date:

Driver Info		LED Info	
Type	Constant Current	Watts	10W
120V	80	Color Temp	5CCT Field Adjustable
208V	N/A	Color Accuracy	90 CRI
240V	N/A	L70 Lifespan	50,000 Hours
277V	N/A	Lumens	948 lm
Input Watts	10W	Efficacy	90

Technical Specifications		
<p>Performance</p> <p>Product Type: Retrofit Gimbal</p> <p>Lumens (Nominal): 900lm</p> <p>Efficacy: 90 lm/W</p> <p>Lifespan: 50,000-Hour LED lifespan based on IES LM-80 results and TM-21 calculations</p> <p>Wattage Equivalency: Equivalent to 75W Incandescent</p>	<p>LED Characteristics</p> <p>LEDs: LED array provides a uniform source with high efficiency and no pixilation</p> <p>Color Accuracy (CRI): 90 CRI</p> <p>Color Temperature: 2700K/3000K/3500K/4000K/5000K</p> <p>Electrical</p> <p>THD: ≤20%</p> <p>Power Factor: ≥0.9</p>	<p>Dimmable: TRIAC and ELV (at 120V only).</p> <p>Input Voltage: 120V</p> <p>Operating Frequency: 60Hz</p> <p>Operating Temperature: -30°C - 40°C</p>

Technical Specifications (continued)

Other

Warranty:

RAB warrants that our LED products will be free from defects in materials and workmanship for a period of five (5) years from the date of delivery to the end user, including coverage of light output, color stability, driver performance and fixture finish. RAB's warranty is subject to all terms and conditions found at rablighting.com/warranty.

Buy American Act Compliance:

RAB values USA manufacturing! Upon request, RAB may be able to manufacture this product to be compliant with the Buy American Act (BAA). Please contact customer service to request a quote for the product to be made BAA compliant.

Construction

Size:

6"

Shape:

Round

Housing Material:

Metal

Finish:

White

Trim Style:

Smooth Trim

Lens:

Regressed lens constructed from impact resistant polycarbonate. Convex lens gives the optic a similar lamp-like appearance. Provides smooth and diffuse light distribution.

Gaskets:

Achieve restrictive airflow requirements without additional caulking

Base Type:

E26

Mounting:

Torsion springs are pre-installed and adjust to fit 5" or 6" compatible housing

Compliance

Safety Listing:

UL Classified

Environment:

Wet

ENERGY STAR V2.2:

ENERGY STAR® Version 2.2 Certified

Energy Star ID:

2369207

T20 Compliant:

Yes

T24 JA8 Compliant:

Complies with Title 24 Appendix JA8

Lawful for Sale in California:

Yes

RoHS:

Mercury and UV free. RoHS-compliant components.

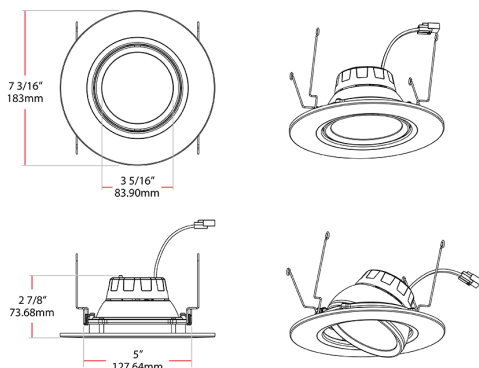
FCC:

Complies with Part 15 of the FCC Rules

Model Number:

DLG0011(RA6R109FA120WS)

Dimensions



Features

- Adjustable gimbal lens with a 30 degree tilt angle
- Use to replace up to 75W traditional light sources
- Durable metal construction: dent and scratch resistant
- UL wet location rated
- Compatible with most standard recessed housings
- Dimmable down to 5% on compatible dimmers
- Available in Round 4" 700lm and 6" 700lm and 900lm
- 5 Color temperature selectable 2700K, 3000K, 3500K, 4000K & 5000K
- 5-Year, No-Compromise Warranty

Ordering Matrix

Family	Size	Shape	Wattage	CRI/Color Temp	Voltage	Finish	Trim
RA	6	R	10	9FA	120	W	S
	4 = 4" 6 = 6"	R = Round	8 = 8W 10 = 10W 11 = 11W	9FA = 90 CRI, 5000/4000/3500/3000/2700K	120 = 120V	W = White	S = Smooth