



Easy to install 2" new construction rough-in for use with RDLED2 trims. The Remodeler Trim component must be ordered with the New Construction Housing in order to make a complete fixture. Available in flush trim for a trimless look without the mess left behind from ceiling finishing work.

Color: Natural

Weight: 1.6 lbs

Project:	Type:
Prepared By:	Date:

Driver Info		LED Info	
Type:	N/A	Watts:	0W
120V:	N/A	Color Temp:	Sold Separately
208V:	N/A	Color Accuracy:	N/A
240V:	N/A	L70 Lifespan:	N/A
277V:	N/A	Lumens:	N/A
Input Watts:	0W	Efficacy:	N/A
Efficiency:	N/A		

Technical Specifications

Listings

UL Listed:

Suitable for wet locations in a covered ceiling

Construction

IC Rating:

Suitable for direct contact with insulation

Housing Component:

This component must be ordered with the 2 inch downlights trim in order to make a complete fixture.

Housing:

Professional-grade, heavy-gauge steel construction with 1/2" trim.

Butterfly Brackets:

The Butterfly bracket allows to mount with the following 1/4 x 1/2" bar stock, C Channel, 1/2" conduit, or nailer bars.

Junction Box:

Integral junction box with wiring capacity for Min 60°C supply conductors
End of Run

Easy Installation:

Ceiling clamps install quickly and hold housing securely. Clamp ceilings from 1/2" to 2 1/2" thick, with course and fine adjustments.

Other

Air Tight:

Housing certified Air Tight as per ASTM E283

Trim:

1/2" trim

California Title 24:

ND2T complies with 2013 California Title 24 building and electrical codes as a commercial indoor fixture for general spaces when used with a RAB 2 inch LED downlight, a vacancy sensor and TRIAC dimming control. Select a vacancy sensor using catalog number LVS800. TRIAC dimmer provided by others.

Warranty:

RAB warrants that our LED products will be free from defects in materials and workmanship for a period of ten (5) years from the date of delivery to the end user, including coverage of light output, color stability, driver performance and fixture finish.

Country of Origin:

Designed by RAB in New Jersey and assembled in the USA by RAB's IBEW Local 3 workers.

Buy American Act Compliant:

This product is a COTS item manufactured in the United States, and is compliant with the Buy American Act.

Recovery Act (ARRA) Compliant:

This product complies with the 52.225-21 "Required Use of American Iron, Steel, and Manufactured Goods-- Buy American Act-- Construction Materials (October 2010)

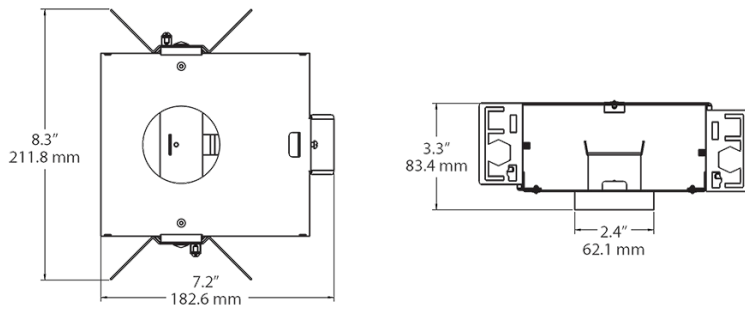
Trade Agreements Act Compliant:

This product is a COTS item manufactured in the United States, and is compliant with the Trade Agreements Act.

GSA Schedule:

Suitable in accordance with FAR Subpart 25.4

Dimensions



Features

- Butterfly bracket allows mounting with bar stock, "C" channel, 1/2" conduit or nailer bars
- Low-profile design allows for installation in ceilings with limited space
- IC rated without additional hardware required

Ordering Matrix

Family	Size	Trim
ND	2 = 2"	T = Trimless