



High-end, new construction LED downlights in 4" and 6" make installation a breeze when you're framing out a space from the ground up or when you have access from the top of the ceiling. 90 CRI.

Color: Matte silver cone silver trim

Weight: 1.2 lbs

<b>Project:</b>	<b>Type:</b>
<b>Prepared By:</b>	<b>Date:</b>

Driver Info		LED Info	
Type:	Sold Separately	Watts:	0W
120V:	N/A	Color Temp:	3000K (Warm)
208V:	N/A	Color Accuracy:	90 CRI
240V:	N/A	L70 Lifespan:	100,000
277V:	N/A	Lumens:	N/A
Input Watts:	0W	Efficacy:	N/A
Efficiency:	N/A		

## Technical Specifications

### Listings

#### UL Listed:

Suitable for wet locations covered ceiling.

### Optical

#### Photometrics:

Photometrics are based on prorated reports. Contact the RAB Lighting Design department for the most up-to-date data.

#### Optics:

50° beam spread with specular thermoplastic optics and Nanostructure lens technology for smooth light output and high efficiency.

### Other

#### Trim Component:

This component must be ordered with New Construction Square Rough-In in order to make a complete fixture.

#### Dimming:

Dimmable. Requires rough-in with dimming driver.

#### California Title 24:

NDLED4S complies with 2013 California Title 24 building and electrical codes as a residential indoor fixture and commercial indoor fixture for general spaces.

#### Warranty:

RAB warrants that our LED products will be free from defects in materials and workmanship for a period of five (5) years from the date of delivery to the end user, including coverage of light output, color stability, driver performance and fixture finish.

#### Country of Origin:

Designed by RAB in New Jersey and assembled in the USA by RAB's IBEW Local 3 workers.

#### Buy American Act Compliant:

This product is a COTS item manufactured in the United States, and is compliant with the Buy American Act.

#### Recovery Act (ARRA) Compliant:

This product complies with the 52.225-21 "Required Use of American Iron, Steel, and Manufactured Goods-- Buy American Act-- Construction Materials (October 2010).

#### Trade Agreements Act Compliant:

This product is a COTS item manufactured in the United States, and is compliant with the Trade Agreements Act.

#### GSA Schedule:

Suitable in accordance with FAR Subpart 25.4.

### Construction

#### Housing:

Professional-grade, die-cast aluminum construction.

#### Trim Ring:

Silver powder coated die cast trim ring.

#### Trim Cone:

Matte silver square trim cone.

#### Drop Ceiling Installation:

NDLED can be installed in drop ceiling tiles when using optional c-channel bars and following local construction codes.

#### Aperture Size:

4" Trim Module.

#### Junction Box:

Integral junction box with wiring capacity for Min 90°C supply conductors  
4 in 4 out

#### Easy Installation:

The EZ-Connector makes installation easy.

### LED Characteristics

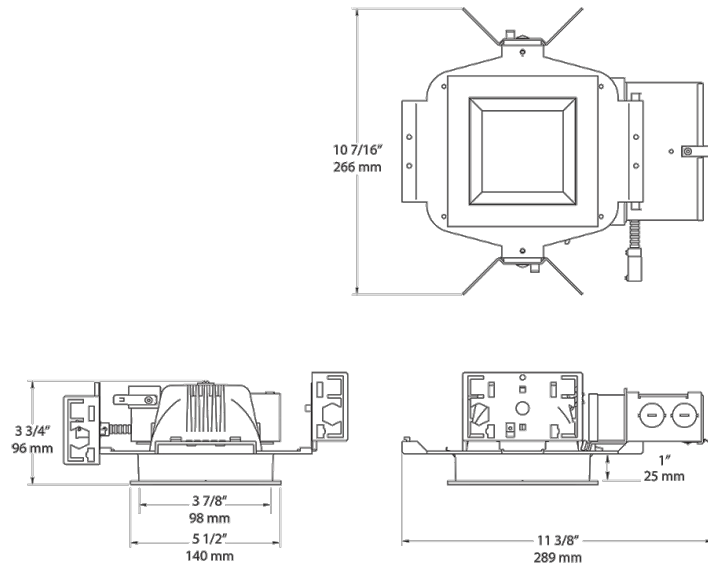
#### Color Consistency:

3-step MacAdam Ellipse binning to achieve consistent fixture-to-fixture color.

#### Color Accuracy:

90 CRI

## Dimensions



## Features

- Butterfly bracket allows mounting with bar stock, "C" channel, 1/2" conduit or nailer bars
- Low-profile design allows for installation in ceilings with limited space
- Absolute White 3-step consistency and black body accurate
- Nanostructure lens eliminates "hot spots" providing smooth and efficient light
- 90 CRI

## Ordering Matrix

Family	Size	Shape	Beam Spread	Color Temp	Cone Color	Trim Color
NDLED	4	S	50	Y	M	S
	4 = 4"	S = Square	50 = 50°	YY = 2700K (Residential Warm)	S = Silver	S = Silver
	6 = 6"		80 = 80°	Y = 3000K (Warm)	W = White	W = White
			W = Wall Washer	YN = 3500K (Warm Neutral)	B = Black	B = Black