



Low-maintenance, high-efficiency LED retrofit fixture installs on standard junction boxes.

Color: White

Weight: 1.2 lbs

**Project:**

**Type:**

**Prepared By:**

**Date:**

#### Driver Info

Type:	Constant Current
120V:	0.08A
208V:	N/A
240V:	N/A
277V:	N/A
Input Watts:	9W
Efficiency:	96%

#### LED Info

Watts:	9W
Color Temp:	2700K
Color Accuracy:	85 CRI
L70 Lifespan:	100,000
Lumens:	719
Efficacy:	77 LPW

## Technical Specifications

### Listings

#### UL Listing:

Suitable for damp locations. Recommended for indoor use only.

#### IESNA LM-79 & LM-80 Testing:

RAB LED luminaires have been tested by an independent laboratory in accordance with IESNA LM-79 and LM-80, and have received the Department of Energy "Lighting Facts" label.

### Other

#### ENERGY STAR:

This product is ENERGY STAR® qualified.

#### Equivalency:

SKEET 9W LED is equivalent to 60W incandescent, replaces up to 100W incandescent

#### California Title 24:

SK9SYYW complies with 2013 California Title 24 building and electrical codes as a commercial indoor fixture for general spaces when used with a vacancy sensor and compatible TRIAC or ELV dimming control. Select a vacancy sensor using catalog number LVS800. Dimming control provided by others.

### LED Characteristics

#### LEDs:

120V long-life LEDs with integrated driver technology and TRIAC and ELV dimming down to 5%. Power Factor 98.9%, 3 kV surge protection

#### Lifespan:

100,000-hour LED lifespan based on IES LM-80 results and TM-21 calculations

#### Color Consistency:

3-step MacAdam Ellipse binning to achieve consistent fixture-to-fixture color

#### Color Stability:

LED color temperature is warrantied to shift no more than 200K in CCT over a 5 year period.

#### Color Uniformity:

RAB's range of CCT (Correlated Color Temperature) follows the guidelines of the American National Standard for Specifications for the Chromaticity of Solid State Lighting (SSL) Products, ANSI C78.377-2011.

### Electrical

#### THD:

13.8% at 120V

### Construction

#### Housing:

Precision die-cast aluminum construction

#### Mounting:

Simple slide-n-lock mounting bracket mounts to 3 1/2" and 4" round or octagon boxes with mounting screws 2 3/4" and 3 1/2" on center

#### Lens:

Vandal resistant polycarbonate diffusion lens

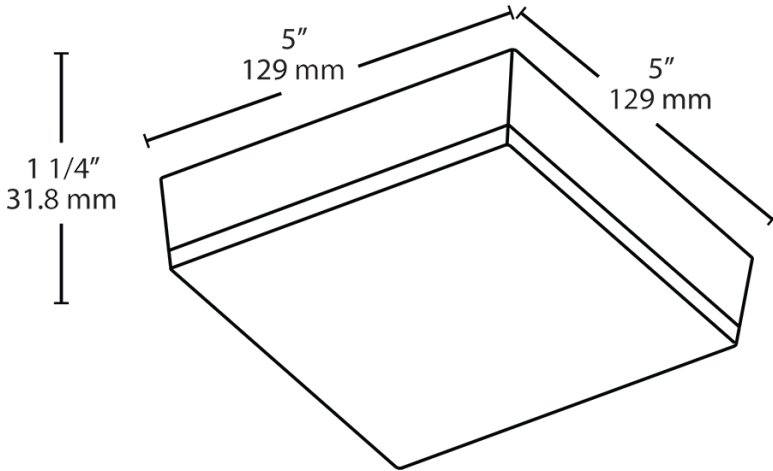
#### Finish:

Our environmentally friendly polyester powder coatings are formulated for high-durability and long-lasting color, and contain no VOC or toxic heavy metals.

#### Green Technology:

Mercury and UV free, and RoHS compliant. Polyester powder coat finish formulated without the use of VOC or toxic heavy metals.

### Dimensions



### Features

- Energy Star Certified
- Contemporary low-profile design
- Mounts flush to ceilings or walls
- Replaces up to 100W incandescent
- Vandal-resistant diffusion lens provides smooth light with no glare
- 100,000-Hour LED Lifespan, 5-year Warranty

### Ordering Matrix

Family	Watts	Shape	Color Temp	Finish
SK	9 = 9W	S = Square	YY = 2700K (Residential Warm) Y = 3000K (Warm) YN = 3500K (Warm Neutral)	W = White