



Low-maintenance, high-efficiency LED retrofit fixture installs on standard junction boxes.

Color: White

Weight: 1.2 lbs

Project:	Type:
Prepared By:	Date:

Driver Info		LED Info	
Type:	Constant Current	Watts:	9W
120V:	0.08A	Color Temp:	3000K
208V:	N/A	Color Accuracy:	85 CRI
240V:	N/A	L70 Lifespan:	100,000
277V:	N/A	Lumens:	744
Input Watts:	9W	Efficacy:	80 LPW
Efficiency:	96%		

Technical Specifications

Listings

UL Listing:

Suitable for damp locations. Recommended for indoor use only.

IESNA LM-79 & LM-80 Testing:

RAB LED luminaires have been tested by an independent laboratory in accordance with IESNA LM-79 and LM-80, and have received the Department of Energy "Lighting Facts" label.

Other

ENERGY STAR:

This product is ENERGY STAR® qualified.

Equivalency:

SKEET 9W LED is equivalent to 60W incandescent, replaces up to 100W incandescent

California Title 24:

SK9SYW complies with 2013 California Title 24 building and electrical codes as a commercial indoor fixture for general spaces when used with a vacancy sensor and compatible TRIAC or ELV dimming control. Select a vacancy sensor using catalog number LVS800. Dimming control provided by others.

LED Characteristics

LEDs:

120V long-life LEDs with integrated driver technology and TRIAC and ELV dimming down to 5%. Power Factor 99.1%, 3 kV surge protection

Lifespan:

100,000-hour LED lifespan based on IES LM-80 results and TM-21 calculations

Color Consistency:

3-step MacAdam Ellipse binning to achieve consistent fixture-to-fixture color

Color Stability:

LED color temperature is warrantied to shift no more than 200K in CCT over a 5 year period.

Color Uniformity:

RAB's range of CCT (Correlated Color Temperature) follows the guidelines of the American National Standard for Specifications for the Chromaticity of Solid State Lighting (SSL) Products, ANSI C78.377-2011.

Electrical

THD:

13.7% at 120V

Construction

Housing:

Precision die-cast aluminum construction

Mounting:

Simple slide-n-lock mounting bracket mounts to 3 1/2" and 4" round or octagon boxes with mounting screws 2 3/4" and 3 1/2" on center

Lens:

Vandal resistant polycarbonate diffusion lens

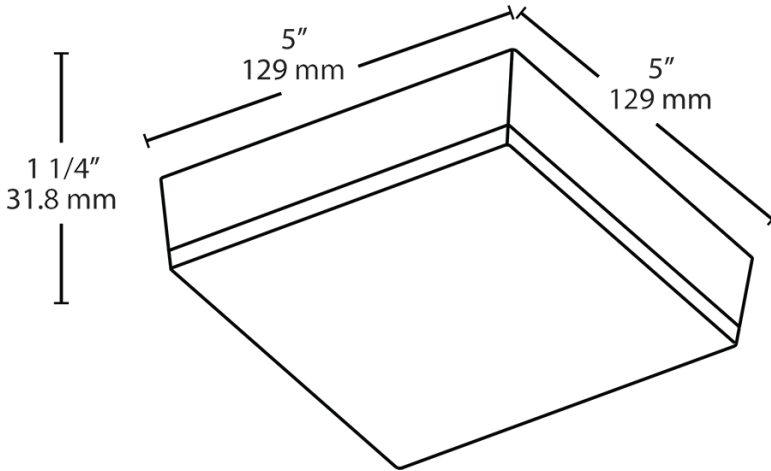
Finish:

Our environmentally friendly polyester powder coatings are formulated for high-durability and long-lasting color, and contain no VOC or toxic heavy metals.

Green Technology:

Mercury and UV free, and RoHS compliant. Polyester powder coat finish formulated without the use of VOC or toxic heavy metals.

Dimensions



Features

- Energy Star Certified
- Contemporary low-profile design
- Mounts flush to ceilings or walls
- Replaces up to 100W incandescent
- Vandal-resistant diffusion lens provides smooth light with no glare
- 100,000-Hour LED Lifespan, 5-year Warranty

Ordering Matrix

Family	Watts	Shape	Color Temp	Finish
SK	9 = 9W	S = Square	YY = 2700K (Residential Warm) Y = 3000K (Warm) YN = 3500K (Warm Neutral)	W = White