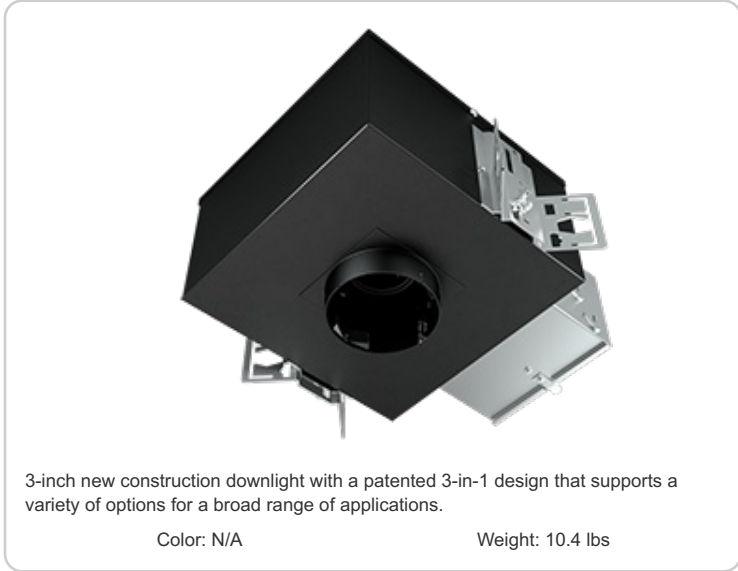


# NDICLED3R-15DYHC-TL-CP



<b>Project:</b>	<b>Type:</b>
<b>Prepared By:</b>	<b>Date:</b>

<b>Driver Info</b>		<b>LED Info</b>	
Type:	Constant Current	Watts:	15W
120V:	0.12A	Color Temp:	3000K
208V:	0.08A	Color Accuracy:	90 CRI
240V:	0.07A	L70 Lifespan:	100,000
277V:	0.06A	Lumens:	See Table Below*
Input Watts:	15W	Efficacy:	0 LPW
Efficiency:	N/A		

## Technical Specifications

### Listings

#### UL Listing:

Suitable for wet locations in a covered ceiling (adjustable models suitable for damp locations).

#### CCEA Compliant:

Luminaire Requirements used in Environmental Air Space per the electrical code specification of the City of Chicago

### Optical

#### Photometrics:

Photometrics are based on prorated reports. Contact the RAB Lighting Design department for the most up-to-date data.

#### Optics:

High-efficiency TIR optics. Available as a downlight (80° or 50° beam), adjustable (40° or 20° beam with 40° vertical adjustment and 360° rotation), or a wall washer.

### Construction

#### IC Rating:

Suitable for direct contact with insulation

#### Trim:

Accepts trimless cones (spackle flange included)

#### Housing Component:

This component must be ordered with New Construction Round Trim Module in order to make a complete fixture.

#### Cold Weather Starting:

Minimum starting temperature is -40°C (-40°F)

#### Maximum Ambient Temperature:

Suitable for use in 40°C (104°F) ambient temperatures

#### Housing:

Cold-rolled steel and aluminum

#### Installation:

Nailer bar and butterfly brackets included; C-channels optional for acoustic tiles

#### Green Technology:

Mercury and UV free. RoHS compliant components.

### LED Characteristics

#### Lifespan:

100,000-hour LED lifespan based on IES LM-80 results and TM-21 calculations.

#### Color Consistency:

2-step u'-v' Circle Tolerance, previously referred to as 2-step MacAdam Ellipse, achieves consistent fixture-to-fixture color (ANSI standard C78.377.2015)

### Electrical

#### Driver:

Constant Current, Class 2, 120-277V, 50/60Hz, 120V: 0.12A, 208V: 0.08A, 240V: 0.07A, 277V: 0.06A

#### Dimming Driver:

Universal dimming driver supports TRIAC, ELV and 0-10V.

#### Surge Protection:

2kV

#### Performance Table\*:

The performance table below shows photometric data for this rough-in with the following trim modules:

NDTRIM 80° white: 893 lm, 61 lm/W

NDTRIM 50° white: 923 lm, 63 lm/W

NDTRIM 40° adjustable white: 980 lm, 67 lm/W

NDTRIM 20° adjustable white: 965 lm, 66 lm/W

NDTRIM Wall Wash white: 613 lm, 42 lm/W

NDTRIM 80° matte silver: 898 lm, 61 lm/W

NDTRIM 50° matte silver: 930 lm, 64 lm/W

NDTRIM 40° adjustable matte silver: 1014 lm, 69 lm/W

NDTRIM 20° adjustable matte silver: 998 lm, 68 lm/W

NDTRIM Wall Wash matte silver: 646 lm, 44 lm/W

NDTRIM 80° black: 690 lm, 47 lm/W

NDTRIM 50° black: 835 lm, 57 lm/W

NDTRIM 40° adjustable black: 938 lm, 64 lm/W

NDTRIM 20° adjustable black: 939 lm, 64 lm/W

NDTRIM Wall Wash black: 420 lm, 29 lm/W

### Other

#### Aperture Size:

3" Rough-In

#### Special Order:

Available in battery backup option by special request. Contact RAB customer service to order.

#### Warranty:

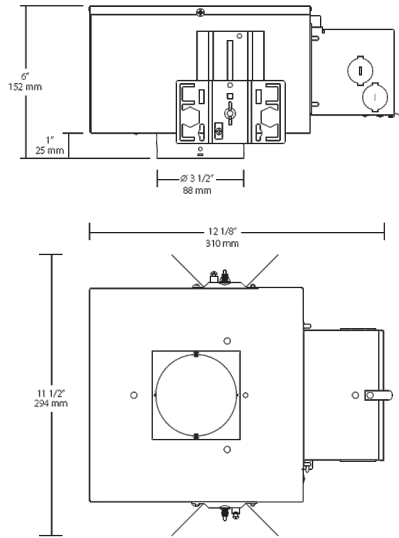
RAB warrants that our LED products will be free from defects in materials and workmanship for a period of five (5) years from the date of delivery to the end user, including coverage of light output, color stability, driver performance and fixture finish.

#### Buy American Act Compliance:

RAB values USA manufacturing! Upon request, RAB may be able to manufacture this product to be compliant with the Buy American Act (BAA). Please contact customer service to request a quote for the product to be made BAA compliant.

# NDICLED3R-15DYHC-TL-CP

## Dimensions



## Features

- 3-in-1 housing accommodates downlight, adjustable or wall washer
- Universal driver supports TRIAC, ELV and 0-10 dimming
- IC-rated, Certified Air Tight
- 100,000 hour LED lifespan
- 5-year no-compromise warranty

## Ordering Matrix

Family	Size	Shape	Wattage	Driver	Color Temp	CRI	Trim	Installation
NDICLED	3	R	15	D	Y	HC	TL	CP
	3 = 3"	R = Round	25 = 25W 15 = 15W	D = TRIAC, ELV, 0-10V Dimming L = Lutron	N = 4000K (Neutral) YN = 3500K (Warm Neutral) Y = 3000K (Warm) YY = 2700K (Residential Warm)	Blank = 80 CRI HC = 90 CRI	Blank = Accepts cones with trim TL = Accepts trimless cones (spackle flange included)	Blank = Standard CP = Chicago Plenum