



LED retrofit downlights are perfect for updating existing recessed lighting without changing the fixture. Equivalent to 90W Par.

Color: White

Weight: 1.4 lbs

**Project:**

**Type:**

**Prepared By:**

**Date:**

### Driver Info

Type: Constant Current  
 120V: 0.08A  
 208V: N/A  
 240V: N/A  
 277V: N/A  
 Input Watts: 9W  
 Efficiency: 93%

### LED Info

Watts: 8W  
 Color Temp: 2700K  
 Color Accuracy: 84 CRI  
 L70 Lifespan: 100,000  
 Lumens: 539  
 Efficacy: 63 LPW

## Technical Specifications

### Listings

#### UL Listed:

Suitable for damp locations.

#### IESNA LM-79 & LM-80 Testing:

RAB LED luminaires have been tested by an independent laboratory in accordance with IESNA LM-79 and LM-80, and have received the Department of Energy "Lighting Facts" label.

### Electrical

#### Driver:

Innovative integrated driver technology with 120V TRIAC and ELV dimming.

#### Surge Protection:

2.5KV

### Optical

#### Spacing Criteria:

0-180° (along): 1.12

### Construction

#### Lens:

Polycarbonate diffusion lens for smooth light output.

#### Compatibility:

Low-profile design for maximum compatibility with 6" incandescent recessed downlight housings.

#### Ambient Temperature:

Suitable for use in 40°C ambient temperatures.

#### Cold Weather Starting:

The minimum starting temperature is -22°F/-30°C.

#### Housing:

Professional-grade, die-cast aluminum construction.

#### Adapters:

Edison E26 medium base adapter included. GU24 socket adapter sold separately.

#### Installation:

Pre-installed Torsion springs and optional friction clips are both included to aid in attaching and securing the 6" DLED to the incandescent housing.

#### Finish:

Our environmentally friendly polyester powder coatings are formulated for high-durability and long-lasting color, and contains no VOC or toxic heavy metals.

#### Green Technology:

Mercury and UV free, and RoHS compliant.

### LED Characteristics

#### Lifespan:

100,000-hour LED lifespan based on IES LM-80 results and TM-21 calculations.

#### LEDs:

High-output, long-life LEDs with 3 step binning and integrated driver technology.

#### Color Consistency:

3-step MacAdam Ellipse binning to achieve consistent fixture-to-fixture color.

### Other

#### ENERGY STAR:

This product is ENERGY STAR® qualified.

#### Equivalency:

8W replaces 50W Par.

#### California Title 24:

DLED6R8 complies with 2013 California Title 24 building and electrical codes as a commercial indoor fixture for general spaces when used with a vacancy sensor and TRIAC dimming control. Select a vacancy sensor using catalog number LVS800. TRIAC dimmer provided by others.

#### Warranty:

RAB warrants that our LED products will be free from defects in materials and workmanship for a period of five (5) years from the date of delivery to the end user, including coverage of light output, color stability, driver performance and fixture finish.

#### Country of Origin:

Designed by RAB in New Jersey and assembled in the USA by RAB's IBEW Local 3 workers.

#### Buy American Act Compliant:

This product is a COTS item manufactured in the United States, and is compliant with the Buy American Act.

#### Recovery Act (ARRA) Compliant:

This product complies with the 52.225-21 "Required Use of American Iron, Steel, and Manufactured Goods-- Buy American Act-- Construction Materials (October 2010).

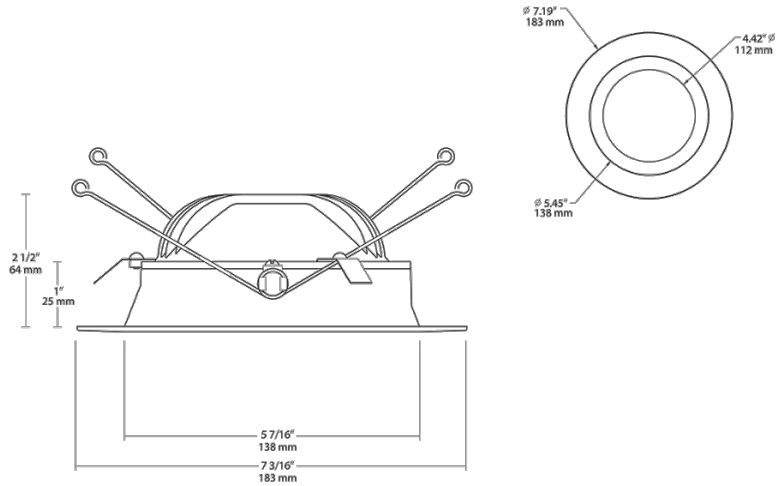
#### Trade Agreements Act Compliant:

This product is a COTS item manufactured in the United States, and is compliant with the Trade Agreements Act.

#### GSA Schedule:

Suitable in accordance with FAR Subpart 25.4.

## Dimensions

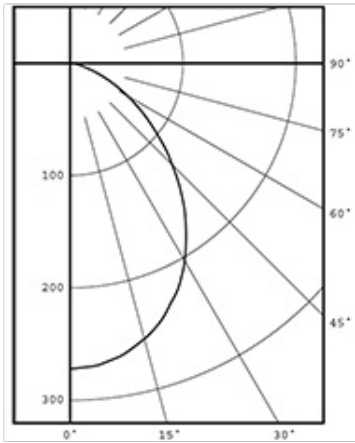


## Features

- Low-profile enables compatibility with 6" housings
- UL Listed for damp locations
- Triac & ELV dimmable
- 5-year warranty

## Photometrics

### candlepower distribution

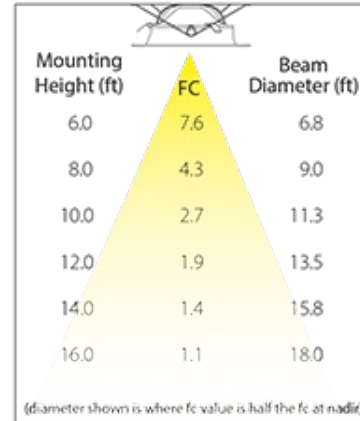


### candela distribution

| vertical deg. | candelas |
|---------------|----------|
| 0             | 272      |
| 5             | 270      |
| 15            | 254      |
| 25            | 224      |
| 35            | 179      |
| 45            | 128      |
| 55            | 80       |
| 65            | 40       |
| 75            | 12       |
| 85            | 3        |
| 90            | 0        |

**LUMENS PER WATT: 62.5**

### cone of light



### zonal lumen summary

| zone   | lumens | % fix. |
|--------|--------|--------|
| 0-30   | 200    | 37.1   |
| 0-40   | 312    | 57.8   |
| 0-60   | 482    | 89.5   |
| 0-90   | 539    | 100.0  |
| 90-180 | 0      | 0.0    |
| 0-180  | 539    | 100.0  |

### luminance (candela/M<sup>2</sup>)

| degrees | avg. luminance |
|---------|----------------|
| 45      | 12083          |
| 55      | 9310           |
| 65      | 6318           |
| 75      | 3095           |
| 85      | 2298           |

## Ordering Matrix

| Family | Size   | Shape     | Watts              | Color Temp   | Type   |
|--------|--------|-----------|--------------------|--|--|
| DLED   | 6 = 6" | R = Round | 8 = 8W<br>12 = 12W | YY = 2700K (Residential Warm)<br>Y = 3000K (Warm)<br>YN = 3500K (Warm Neutral) | Blank = Without Baffle<br>/BAF = With Baffle |