



LED retrofit downlights are perfect for updating existing recessed lighting without changing the fixture. Equivalent to 50W Par.

Color: White

Weight: 0.9 lbs

**Project:**

**Type:**

**Prepared By:**

**Date:**

#### Driver Info

Type: Constant Current  
 120V: 0.08A  
 208V: N/A  
 240V: N/A  
 277V: N/A  
 Input Watts: 9W  
 Efficiency: 92%

#### LED Info

Watts: 8W  
 Color Temp: 2700K  
 Color Accuracy: 84 CRI  
 L70 Lifespan: 100,000  
 Lumens: 488  
 Efficacy: 56 LPW

## Technical Specifications

### Listings

#### UL Listed:

Suitable for damp locations.

#### IESNA LM-79 & LM-80 Testing:

RAB LED luminaires have been tested by an independent laboratory in accordance with IESNA LM-79 and LM-80, and have received the Department of Energy "Lighting Facts" label.

### Electrical

#### Driver:

Innovative integrated driver technology with 120V TRIAC and ELV dimming.

#### Surge Protection:

2.5KV

### Optical

#### Spacing Criteria:

0-180° (along): 1.12

### Construction

#### Lens:

Polycarbonate diffusion lens for smooth light output.

#### Compatibility:

Low-profile design for maximum compatibility with many 4" incandescent recessed downlight housings.

#### Ambient Temperature:

Suitable for use in 40°C ambient temperatures.

#### Cold Weather Starting:

The minimum starting temperature is -22°F/-30°C.

#### Housing:

Professional-grade, die-cast aluminum construction; cast-in grooves.

#### Adapters:

Edison E26 medium base adapter included. GU24 socket adapter sold separately.

#### Installation:

Pre-installed friction clips are included to aid in attaching and securing the 4" DLED to the incandescent housing.

#### Finish:

Our environmentally friendly polyester powder coatings are formulated for high-durability and long-lasting color, and contains no VOC or toxic heavy metals.

#### Green Technology:

Mercury and UV free, and RoHS compliant.

### LED Characteristics

#### Lifespan:

100,000-hour LED lifespan based on IES LM-80 results and TM-21 calculations.

#### LEDs:

High-output, long-life LEDs with 3 step binning and integrated driver technology.

#### Color Consistency:

3-step MacAdam Ellipse binning to achieve consistent fixture-to-fixture color.

### Other

#### ENERGY STAR:

This product is ENERGY STAR® qualified.

#### Equivalency:

8W replaces 50W Par.

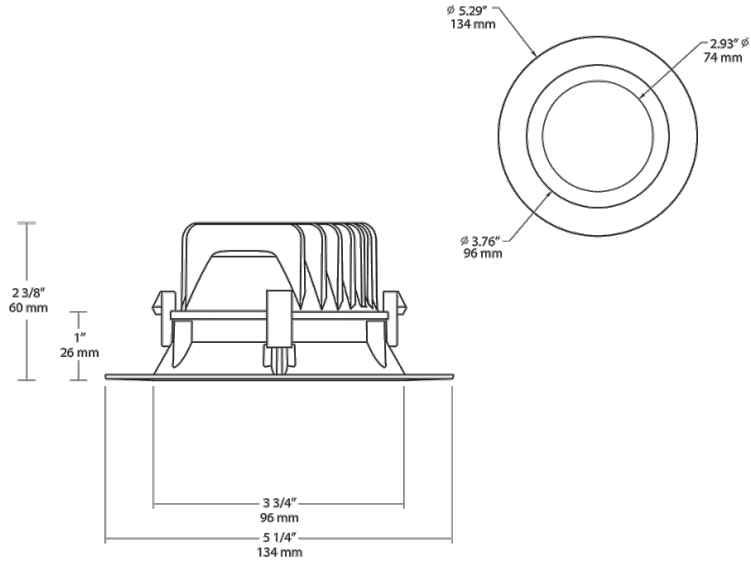
#### California Title 24:

DLED4R8 complies with 2013 California Title 24 building and electrical codes as a commercial indoor fixture for general spaces when used with a vacancy sensor and TRIAC dimming control. Select a vacancy sensor using catalog number LVS800. TRIAC dimmer provided by others.

#### Warranty:

RAB warrants that our LED products will be free from defects in materials and workmanship for a period of five (5) years from the date of delivery to the end user, including coverage of light output, color stability, driver performance and fixture finish.

## Dimensions

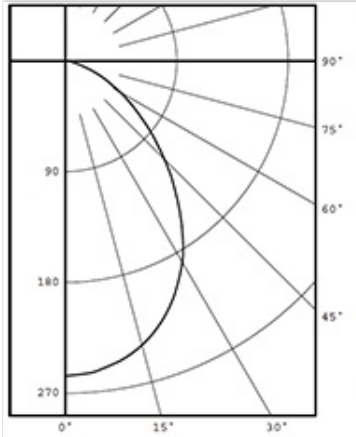


## Features

- 8W replaces 50W PAR
- Energy savings is \$410 over 100,000 hours
- UL Listed for damp locations
- Triac & ELV dimmable
- Low-profile design ensures maximum compatibility with existing 4" housings
- 5-year warranty

## Photometrics

### candlepower distribution



### candela distribution

vertical deg.	candelas
0	256
5	254
15	239
25	209
35	164
45	113
55	69
65	35
75	10
85	2
90	0

**LUMENS PER WATT: 56.1**

### cone of light

Cone of light diagram showing beam diameter vs mounting height. The diagram is a yellow triangle with a vertical axis for mounting height (6.0 ft to 16.0 ft) and a horizontal axis for beam diameter (6.7 ft to 17.9 ft). The center of the cone is labeled 'FC'.

Mounting Height (ft)	FC	Beam Diameter (ft)
6.0	7.1	6.7
8.0	4.0	8.9
10.0	2.6	11.2
12.0	1.8	13.4
14.0	1.3	15.6
16.0	1.0	17.9

(diameter shown is where fc value is half the fc at nadir)

### zonal lumen summary

zone	lumens	% fix.
0-30	187	38.4
0-40	290	59.4
0-60	439	90.0
0-90	488	100.0
90-180	0	0.0
0-180	488	100.0

### luminance (candela/M<sup>2</sup>)

degrees	avg. luminance
45	22427
55	16883
65	11623
75	5422
85	3220

## Ordering Matrix

Family	Size	Shape	Watts	Color Temp	Type
DLED	4 = 4"	R = Round	8 = 8W	YY = 2700K (Residential Warm) Y = 3000K (Warm) YN = 3500K (Warm Neutral)	Blank = Without Baffle /BAF = With Baffle