



Low-profile vandalproof fixture replaces traditional incandescent luminaires delivering impressive energy savings.

Color: White

Weight: 1.2 lbs

Project:	Type:
Prepared By:	Date:

Driver Info		LED Info	
Type:	Constant Current	Watts:	6W
120V:	0.055A	Color Temp:	5000K
208V:	N/A	Color Accuracy:	85 CRI
240V:	N/A	L70 Lifespan:	50000
277V:	N/A	Lumens:	872
Input Watts:	7W	Efficacy:	125 LPW
Efficiency:	86%		

Technical Specifications

Listings

UL Listing:

Suitable for Wet Locations. Covered Ceiling Mount Only.

DLC Listed:

This product is on the Design Lights Consortium (DLC) Qualified Products List and is eligible for rebates from DLC Member Utilities.

DLC Product Code: P3V7SCVH

IESNA LM-79 & LM-80 Testing:

RAB LED luminaires have been tested by an independent laboratory in accordance with IESNA LM-79 and LM-80, and have received the Department of Energy "Lighting Facts" label.

Electrical

Driver:

AC board, 50/60 Hz., 120V: 55mA

Dimmer Compatibility:

TRIAC/ELV dimming capable.

THD:

11.4% at 120V

Power Factor:

99.4% at 120V

Surge Protection:

2.5KV

Construction

Cold Weather Starting:

The minimum starting temperature is -22°F (-30° C).

Ambient Temperature:

Suitable for use in 113°F (45°C) ambient temperatures.

Housing:

Precision steel housing

Mounting:

Ceiling mount to recessed junction with knockout template. Tamperproof screws.

Lens:

Vandalproof, frosted polycarbonate drop lens

Gaskets:

High-temperature silicone gaskets

Finish:

Our environmentally friendly polyester powder coatings are formulated for high-durability and long-lasting color, and contain no VOC or toxic heavy metals.

Green Technology:

Mercury and UV free. RoHS compliant components. Polyester powder coat finish formulated without the use of VOC or toxic heavy metals.

LED Characteristics

Lifespan:

50,000-hour LED lifespan based on IES LM-80 results and TM-21 calculations.

LEDs:

120V long-lfe LEDs

Color Stability:

RAB LEDs exceed industry standards for chromatic stability.

Color Uniformity:

RAB's range of CCT (Correlated Color Temperature) follows the guidelines of the American National Standard for Specifications for the Chromaticity of Solid State Lighting (SSL) Products, ANSI C78.377-2015.

Other

Optional Sensor:

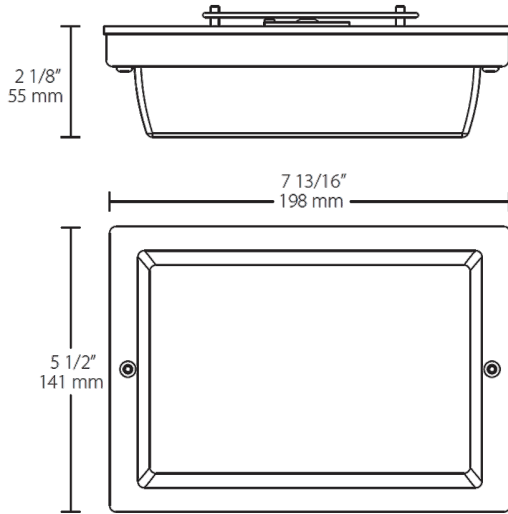
VAN1LED is compatible with occupancy sensors.

Warranty:

RAB warrants that our LED products will be free from defects in materials and workmanship for a period of five (5) years from the date of delivery to the end user, including coverage of light output, color stability, driver performance and fixture finish. See our full warranty

VAN1LED6W

Dimensions



Features

- Vandalproof polycarbonate drop lens
- Ultra efficiency
- Low-profile design

Ordering Matrix

Family	Watts	Color Temp	Finish
VAN1LED	6		W
	12 = 12W 6 = 6W	Blank = 5000K (Cool) N = 4000K (Neutral) Y = 3000K (Warm)	W = White