



The affordable LED GUS is designed to deliver general ambient lighting for surface-mount ceiling/wall or pendant mount applications. Diffusion lens delivers improved visual performance and a more refined look. Replaces traditional 2' linear fluorescent wraparound fixtures.

Color: White

Weight: 9.3 lbs

<b>Project:</b>	<b>Type:</b>
<b>Prepared By:</b>	<b>Date:</b>

Driver Info		LED Info	
Type:	Constant Current	Watts:	25W
120V:	0.21A	Color Temp:	4000K (Neutral)
208V:	0.14A	Color Accuracy:	84 CRI
240V:	0.12A	L70 Lifespan:	100,000
277V:	0.11A	Lumens:	2,757
Input Watts:	26W	Efficacy:	106 LPW
Efficiency:	96%		

## Technical Specifications

### Listings

#### UL Listing:

Suitable for damp locations

#### DLC Listed:

This product is on the Design Lights Consortium (DLC) Qualified Products List and is eligible for rebates from DLC Member Utilities.

DLC Product Code: PKJN9TZ1

### LED Characteristics

#### Lifespan:

100,000-hour LED lifespan based on IES LM-80 results and TM-21 calculations

#### Color Stability:

LED Color temperature is warrantied to shift no more than 200K in CCT over a 5 year period

#### Color Uniformity:

RAB's range of CCT (Correlated Color Temperature) follows the guidelines of the American National Standard for Specifications for the Chromaticity of Solid State Lighting (SSL) Products, ANSI C78.377-2017.

### Electrical

#### Driver:

Class 2, Constant Current, 100-277VAC, 50-60Hz, 4kV, 120V: 0.21A, 208V: 0.14A, 240V: 0.12A, 277V: 0.11A

#### THD:

9.2% at 120V, 15.7% at 277V

#### Power Factor:

98.9% at 120V, 88.2% at 277V

#### Minimum Starting Temperature:

-30°C to 40°C

#### Dimming Driver:

Driver includes dimming control wiring for 0-10V dimming systems. Requires separate 0-10V DC dimming circuit. Dims as low as 10%.

### Construction

#### Housing:

Die-formed 22 gauge, cold-rolled, post-painted steel. Post painting improves durability of the finish and eliminates the sharp edges making handling and installation safer.

#### Mounting:

Surface mount. Can be mounted with chains or v-hooks by others.

#### Lens:

Acrylic lens with diffusion for enhanced optical performance

#### Reflector:

Aluminum with high-reflectance (91%) powder coat applied post production for a more durable finish

#### Finish:

Formulated for high-durability and long lasting color

#### Green Technology:

Mercury and UV-free. RoHS compliant components.

### Other

#### Warranty:

RAB warrants that our LED products will be free from defects in materials and workmanship for a period of five (5) years from the date of delivery to the end user, including coverage of light output, color stability, driver performance and fixture finish. RAB's warranty is subject to all terms and conditions found at

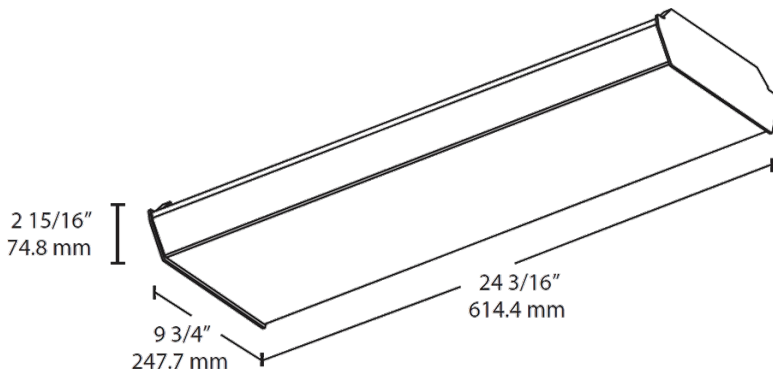
#### Equivalency:

Equivalent to (1) F32T8

#### Buy American Act Compliance:

RAB values USA manufacturing! Upon request, RAB may be able to manufacture this product to be compliant with the Buy American Act (BAA). Please contact customer service to request a quote for the product to be made BAA compliant.

## Dimensions



## Features

- Energy-efficient, maintenance-free LED wrap fixture
- Multiple mounting options: surface, pendant or chain
- High-reflectance white finish for optimal output
- Diffusion wrap-around lens for smooth light distribution
- 0-10V dimming standard
- 100,000-Hour LED lifespan

## Ordering Matrix

Family	Size	Wattage	Color Temp	Finish	Driver Options
GUS	2	25	N	W	/D10
	4 = 4 feet	18 = 18W (2 ft)	Blank = 5000K (Cool)	W = White	/D10 = 0-10V Dimming
	2 = 2 feet	25 = 25W (2 ft)	N = 4000K (Neutral)		/D10/E2 = 0-10V Dimming w/ Emergency Battery Backup
		36 = 36W (4 ft)	YN = 3500K (Warm Neutral)		/D10/LC = 0-10V Dimming w/ Lightcloud Controller
		50 = 50W (4 ft)	Y = 3000K (Warm)		