



LED ceiling light with precision optics deliver smooth and uniform distribution. Ideal for retail settings, workspace lighting and other applications requiring a high output commercial grade downlight.

Color: Bronze

Weight: 18.0 lbs

<b>Project:</b>	<b>Type:</b>
<b>Prepared By:</b>	<b>Date:</b>

Driver Info		LED Info	
Type:	Constant Current	Watts:	52W
120V:	0.53A	Color Temp:	4000K
208V:	0.35A	Color Accuracy:	73 CRI
240V:	0.30A	L70 Lifespan:	100000
277V:	0.26A	Lumens:	5835
Input Watts:	55W	Efficacy:	106 LPW
Efficiency:	94%		

**Technical Specifications**

**Listings**

**UL Listing:**

Suitable for Wet Locations. Covered Ceiling Mount Only.

**Dark Sky Approved:**

The International Dark Sky Association has approved this product as a full cutoff, fully shielded luminaire

**IESNA LM-79 & LM-80 Testing:**

RAB LED luminaires have been tested by an independent laboratory in accordance with IESNA LM-79 and LM-80, and have received the Department of Energy "Lighting Facts" label

**LED Characteristics**

**Lifespan:**

100,000-hour LED lifespan based on IES LM-80 results and TM-21 calculations

**LEDs:**

4x13W high-output, long-life LEDs

**Color Consistency:**

3-step MacAdam Ellipse binning to achieve consistent fixture-to-fixture color

**Color Stability:**

LED color temperature is warranted to shift no more than 200K in CCT over a 5 year period

**Color Uniformity:**

RAB's range of CCT (Correlated Color Temperature) follows the guidelines of the American National Standard for Specifications for the Chromaticity of Solid State Lighting (SSL) Products, ANSI C78.377-2017.

**Electrical**

**THD:**

8.1% at 120V, 16.6% at 277V

**Power Factor:**

99.1% at 120V, 90.9% at 277V

**Drivers:**

2x26W Driver, Constant Current, Class 2, 100V-277V, 50/60 Hz, 6kv Surge Protection, 720mA, 100-277VAC 0.4 Amps., Power Factor 99%.

**Construction**

**Maximum Ambient Temperature:**

Suitable for use in 40°C (104°F) ambient temperatures

**Cold Weather Starting:**

Minimum starting temperature is -40°C (-40°F)

**Housing:**

Precision die-cast aluminum housing and lens frame

**Lens:**

Clear tempered glass lens

**Gaskets:**

High-temperature silicone

**Finish:**

Formulated for high-durability and long lasting color

**Green Technology:**

Mercury and UV-free. RoHS compliant components. Polyester powder coat finish formulated without the use of VOCs or toxic heavy metals.

**Other**

**Patents:**

The design of CLED52 is protected by patents pending in US, Canada, China, Taiwan and Mexico

**FTC Country of Origin:**

This product was assembled in the USA by RAB using imported components

**Buy American Act Compliance:**

This product complies with the Buy American Act

**Optical**

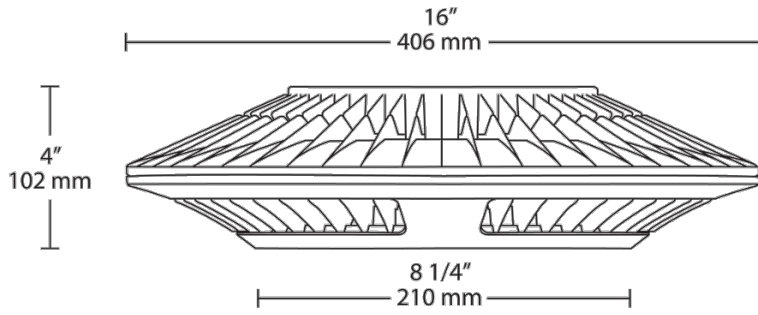
**BUG Rating:**

B2 U1 G1

# CLED52N

**RAB**

## Dimensions



## Features

- High output ceiling light
- Precision optics deliver uniform light distribution
- 100,000-hour LED lifespan
- 5-Year, No-Compromise Warranty