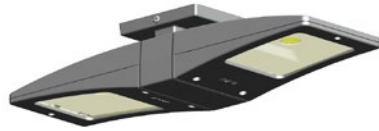


CLED™ INSTALLATION INSTRUCTIONS

Thank you for buying RAB lighting fixtures. Our goal is to design the best quality products to get the job done right. We'd like to hear your comments. Call the Marketing Department at 888-RAB-1000 or email: marketing@rabweb.com



CLED2X10
CLED2X13



CLED2X20
CLED2X26

IMPORTANT

READ CAREFULLY BEFORE INSTALLING FIXTURE. RETAIN THESE INSTRUCTIONS FOR FUTURE REFERENCE.

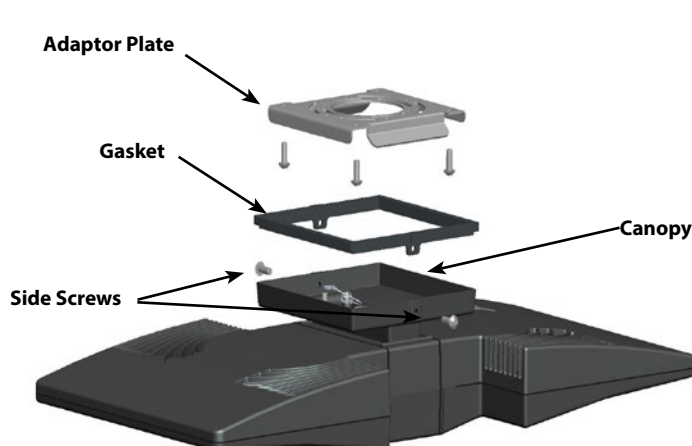
RAB fixtures must be wired in accordance with the National Electrical Code and all applicable local codes. Proper grounding is required for safety. THIS PRODUCT MUST BE INSTALLED IN ACCORDANCE WITH THE APPLICABLE INSTALLATION CODE BY A PERSON FAMILIAR WITH THE CONSTRUCTION AND OPERATION OF THE PRODUCT AND THE HAZARDS INVOLVED.

WARNING: Make certain power is OFF before installing or maintaining fixture. No user serviceable parts inside.

CLED TO MOUNTING SURFACE

Mount the CLED to a recessed Junction Box as follows:

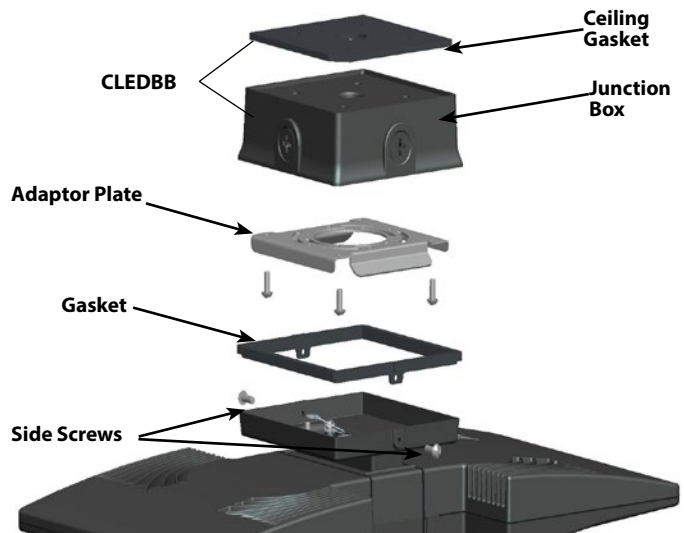
1. Mount the **Adaptor Plate** to mounting surface with appropriate hardware.
2. Attach Tether to fixture and wire the fixture as shown in the wiring section.
3. Align the **Canopy** on fixture to **Adaptor Plate** and tighten (2) Side Screws through the **Canopy** to the **Adaptor Plate**. Be sure the **Gasket** is in place.
4. Use weatherproof silicone sealant between the **Adaptor Plate** and mounting surface.



CLED TO JUNCTION BOX

Mount the CLED Junction Box (sold separately) as follows:

1. Mount the **Junction Box** to ceiling with provided hardware. Be sure the **Ceiling Gasket** is in place.
2. Attach **Adaptor Plate** with the screws provided.
3. Attach Tether to fixture . Feed wires through the conduit entry and wire the fixture as shown in the wiring section.
4. Align the **Canopy** on fixture to **Adaptor Plate** and tighten (2) Side Screws through the **Canopy** to the **Adaptor Plate**. Be sure the **Gasket** is in place.
5. Use weatherproof silicone sealant between the **Adaptor Plate** and **Junction Box**, **Junction Box** and ceiling and around conduit entries of the **Junction Box**.



CLED™ INSTALLATION INSTRUCTIONS

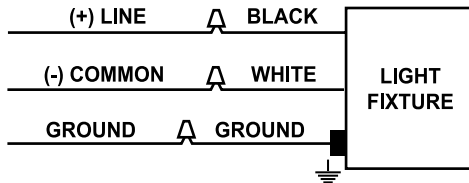
Thank you for buying RAB lighting fixtures. Our goal is to design the best quality products to get the job done right. We'd like to hear your comments. Call the Marketing Department at 888-RAB-1000 or email: marketing@rabweb.com

WIRING

Universal voltage driver permits operation at 50Hz or 60Hz and the following voltages:

- CLED 2X10: 120 Volts - 240 Volts
- CLED 2X13: 120 Volts - 277 Volts
- CLED 2X20: 120 Volts - 277 Volts
- CLED 2X26: 120 Volts - 277 Volts

1. Connect the black fixture lead to the (+) LINE supply lead.
2. Connect the white fixture lead to the (-) COMMON supply lead.
3. Connect the bare copper Ground wire from fixture to supply ground.



ACCESSORIES

GDWPL1P Polyshield for 10W & 13W
Order 2 per CLED or "/P" for factory installed

GDWPL2P Polyshield for 20W
Order 2 per CLED or "/P" for factory installed

No wire guard is available at this time

CLEDDB CLED back box
Available in Bronze and White

OPTIONS

Suffix "Y" = Warm 3000K LED
Suffix "N" = Neutral 4000K LED

US: pat. D608,040; D615,689, **CN:** ZL201030129125.7, ZL201030129137.X, **MX:** 32130, 32491, **TW:** pat. D139540, D139372, CA: ©RAB Lighting, Inc.

0-10V DIMMABLE WIRING

Universal voltage driver permits operation at 120V thru 277V, 50 or 60 Hz. 0-10V control wires must be rated for 300V minimum. For 0-10V Dimming, follow the wiring directions as in fig. 2.

1. Connect the black fixture lead to the (+) LINE supply lead.
2. Connect the white fixture lead to the (-) COMMON supply lead.
3. Connect the GROUND wire from fixture to supply ground. Do NOT connect the GROUND of the dimming fixture to the output.
4. Connect the purple fixture lead to the (V+) DIM lead.
5. Connect the gray fixture lead to the (V-) DIM lead.
6. Cap the yellow fixture lead. Do NOT connect.

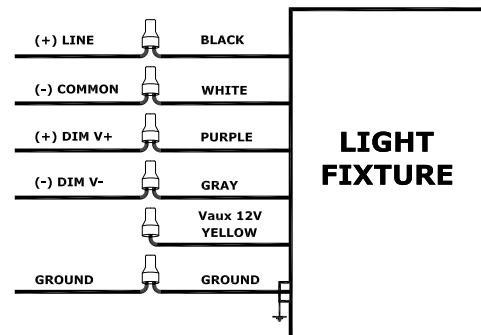


Fig. 2

CLEANING & MAINTENANCE

CAUTION: Be sure fixture temperature is cool enough to touch. Do not clean or maintain while fixture is energized.

1. Clean glass lens with non-abrasive glass cleaning solution.
2. Do not open fixture to clean the LED. Do not touch the LED.

TROUBLESHOOTING

1. Check that the line voltage at fixture is correct. Refer to wiring directions.
2. Be sure the fixture is grounded properly.

Note: These instructions do not cover all details or variations in equipment nor do they provide for every possible situation during installation, operation or maintenance.