



LED High Bay fixture ideal for large indoor spaces, including warehouses, gymnasiums and distribution centers that require mounting heights from 15 to 50 feet. An integrated motion/photo sensor option provides multi-level lighting control. Available in 95, 150, 185 and 225 Watt versions with equivalencies from 200 to 400 Watt metal halide fixtures.

Color: White

Weight: 18.4 lbs

Project:

Type:

Prepared By:

Date:

Driver Info

Type: Constant Current
 120V: 0.78A
 208V: 0.47A
 240V: 0.41A
 277V: 0.35A
 Input Watts: 91W
 Efficiency: N/A

LED Info

Watts: 95W
 Color Temp: 4000K (Neutral)
 Color Accuracy: 84 CRI
 L70 Lifespan: 100,000
 Lumens: 9,835
 Efficacy: 108 LPW

Technical Specifications

Listings

UL Listing:

Suitable for damp locations

IESNA LM-79 & LM-80 Testing:

RAB LED luminaires have been tested by an independent laboratory in accordance with IESNA LM-79 and LM-80, and have received the Department of Energy "Lighting Facts" label.

DLC Listed:

This product is on the Design Lights Consortium (DLC) Qualified Products List and is eligible for rebates from DLC Member Utilities.

DLC Product Code: P2VX5BB9

LED Characteristics

Lifespan:

100,000-hour LED lifespan based on IES LM-80 results and TM-21 calculations.

LEDs:

Long-life, high-efficiency surface mount LEDs

Color Stability:

LED Color temperature is warrantied to shift no more than 200K in CCT over a 5 year period.

Color Uniformity:

RAB's range of CCT (Correlated color temperature) follows the guidelines of the American National Standard for Specifications for the Chromaticity of Solid State Lighting (SSL) Products, ANSI C78.377-2015.

Electrical

Driver:

One Driver, Class 2, Constant Current, 100-277VAC, 50-60Hz, 4kV, 1.1A,

Power Factor:

99.7% at 120V, 95.2% at 277V

Construction

Housing:

Extruded aluminum

Lens:

High-transmittance polystyrene

Reflector:

Specular, high-reflectance aluminum with 95% reflectivity

Mounting:

V hooks (chain by others)

Gaskets:

High temperature silicone gaskets.

Finish:

Our environmentally friendly polyester powder coatings are formulated for high-durability and long-lasting color, and contains no VOC or toxic heavy metals.

Green Technology:

Mercury and UV free, and RoHS compliant. Polyester powder coat finish formulated without the use of VOC or toxic heavy metals.

Recommended Mounting Height:

Up to 25 ft.

Other

Equivalency:

RAIL High Bay 95W LED is equivalent to 250W metal halide fixtures at 25' mounting height. RAIL High Bay 95W LED replacement is 400W metal halide fixtures replacement at 35' mounting height, low activity warehouse.

LED RAIL High Bay with Dimmable Driver:

Driver includes dimming control for 0-10V dimming systems. Requires separate 0-10V DC dimming circuit. Dims as low as 10%.

Warranty:

RAB warrants that our LED products will be free from defects in materials and workmanship for a period of five (5) years from the date of delivery to the end user, including coverage of light output, color stability, driver performance and fixture finish.

Country of Origin:

Designed by RAB in New Jersey and assembled in the USA by RAB's IBEW Local 3 workers.

Buy American Act Compliant:

This product is a COTS item manufactured in the United States, and is compliant with the Buy American Act.

Recovery Act (ARRA) Compliant:

This product complies with the 52.225-21 "Required Use of American Iron, Steel, and Manufactured Goods-- Buy American Act-- Construction Materials (October 2010).

Trade Agreements Act Compliant:

This product is a COTS item manufactured in the United States, and is compliant with the Trade Agreements Act.

GSA Schedule:

Suitable in accordance with FAR Subpart 25.4.

California Title 24:

RAIL models with integrated multi-level motion sensor (/WS2 or /WS4) comply with 2013 California Title 24 building and electrical codes as commercial indoor fixtures for corridors, stairwells, warehouses and covered parking garages.

Technical Specifications (continued)

Sensor Specifications

Power Consumption:

1W

0-10V Sinking Current:

50mA

Adjustable High and Low Modes:

High: 0-10V; Low: off, 0-9.8V

Adjustable Time Delay:

Amount of time in high mode with no motion before switching to low mode: 5 min., 1 -30 min.

Adjustable Cut Off Delay:

Time in which the fixture will remain on low mode with no motion before turning off and waiting for new motion to turn on: None, 1 -60 min., 1 -5 hrs.

Adjustable Sensitivity:

None, low, medium, maximum

Adjustable Setpoint:

None, 1 to 250 fc, auto

Adjustable Ramp Up and Fade Down Times:

1 to 60 sec.

Operating Temperature:

-40°F/-40°C. to 167°F (-40°C to +75°C)

Operating Humidity:

20% to 90% noncondensing

Relay Life Rating:

200,000 cycles (120/277VAC), 50,000 cycles (230VAC)

IP Rating:

Ingress Protection rating of IP66 for dust and water.

UL Listing:

Suitable for Wet Locations as factory installed.

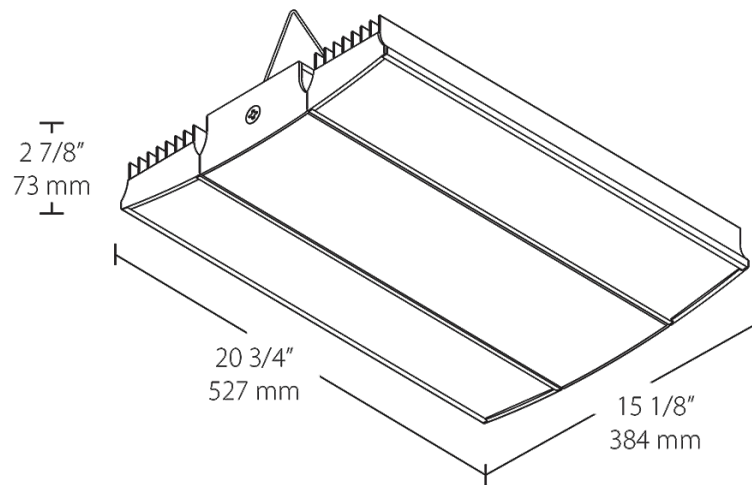
Handheld Wireless Configuration Tool:

Adjust settings using handheld wireless configuration tool. Only available with 0-10V dimming driver options.

Multi Level Motion Sensor:

40 ft. diameter coverage from 20 ft. height.

Dimensions



Features

- Ideal for large spaces
- Ultra-high efficacy
- Up to 60% less energy usage than equivalent metal halide fixtures
- 100,000 hour lifespan, virtually maintenance free operation
- Integrated motion/photo sensor for multilevel lighting control

Ordering Matrix

Family	Mount	Watts	Color Temp	Finish	Voltage	Dimming	Sensor
RAIL							
	= V Hooks	95 =	= 5000K (Cool)	W =	= 120-	= No	/WS2 = Multi-Level Motion Sensor (Only available for 120-277V with /D10 for 95W & 150W)
	P = Pendant or Surface	95W	YN = 3500K (Warm Neutral)	White	277V	Dimming	
		150 =			/480 =	/D10 =	/WS4 = Multi-Level Motion Sensor (Only available for 120-277V with /D10 for 185W & 225W)
		150W	N = 4000K (Neutral)		480V	Dimmable	
		185 =					
		185W					
		225 =					
		225W					