

78W BAYLED high bay replaces 250W MH high bays, reducing energy consumption by 67%. Suitable for large spaces, including warehouses, factories, and distribution centers.

Color: White

Weight: 26.5 lbs

Project:	Type:
Prepared By:	Date:

Driver Info		LED Info	
Type	Constant Current	Watts	78W
120V	0.82A	Color Temp	4000K (Neutral)
208V	0.52A	Color Accuracy	75 CRI
240V	0.45A	L70 Lifespan	100,000 Hours
277V	0.4A	Lumens	11,392
Input Watts	90.9W	Efficacy	125.3 lm/W

Technical Specifications

Compliance

UL Listed:

Suitable for wet locations

IESNA LM-79 & LM-80 Testing:

RAB LED luminaires and LED components have been tested by an independent laboratory in accordance with IESNA LM-79 and LM-80.

Performance

Lifespan:

100,000-Hour LED lifespan based on IES LM-80 results and TM-21 calculations

Construction

IES Classification:

The Type II distribution is ideal for wide walkways, on ramps and entrance roadways, bike paths and other long and narrow lighting applications. This type is meant for lighting larger areas and usually is located near the roadside. This type of lighting is commonly found on smaller side streets or jogging paths.

Effective Projected Area:

EPA = 0.75

Ambient Temperature:

Suitable for use in up to 55°C (131°F)

Cold Weather Starting:

The minimum starting temperature is -40°C (-40°F)

Thermal Management:

Superior thermal management with external "Air-Flow" fins

Mounting:

Heavy-duty 1/2" thread mounting arm with "O" ring seal & stainless steel screws

Reflector:

Specular vacuum-metallized polycarbonate

Gaskets:

High-temperature silicone gaskets

IP Rating:

Ingress protection rating of IP66 for dust and water

Finish:

Formulated for high durability and long-lasting color

Green Technology:

Mercury and UV free. RoHS-compliant components.

Technical Specifications (continued)

LED Characteristics

LEDs:

Multi-chip, high-output, long-life LEDs

Color Stability:

LED color temperature is warranted to shift no more than 200K in color temperature over a 5-year period

Color Uniformity:

RAB's range of Correlated Color Temperature follows the guidelines of the American National Standard for Specifications for the Chromaticity of Solid State Lighting (SSL) Products, ANSI C78.377-2017.

Electrical

Dimming Driver:

Driver includes dimming control wiring for 0-10V dimming systems. Requires separate 0-10V DC dimming circuit. Dims down to 10%.

THD:

11.83% at 120V, 9.66% at 277V

Power Factor:

99.1% at 120V, 93.5% at 277V

Surge Protection:

4kV

Other

Warranty:

RAB warrants that our LED products will be free from defects in materials and workmanship for a period of five (5) years from the date of delivery to the end user, including coverage of light output, color stability, driver performance and fixture finish. RAB's warranty is subject to all terms and conditions found at rablighting.com/warranty.

Equivalency:

Equivalent to 4 lamp T8 fixtures

Buy American Act Compliance:

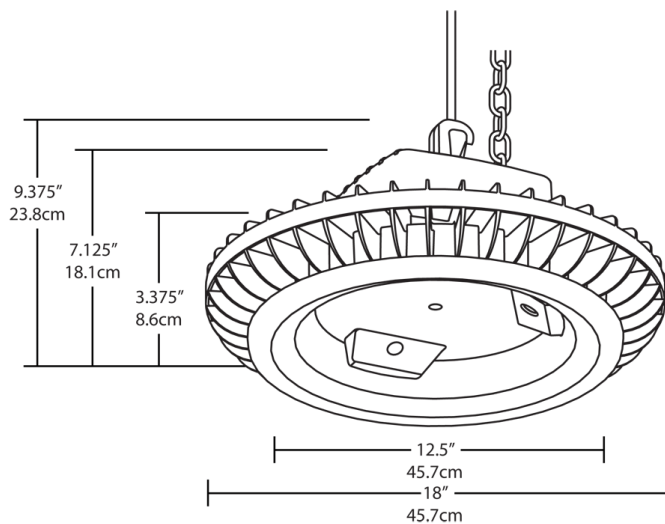
RAB values USA manufacturing! Upon request, RAB may be able to manufacture this product to be compliant with the Buy American Act (BAA). Please contact customer service to request a quote for the product to be made BAA compliant.

Optical

BUG Rating:

B2 U0 G2

Dimensions



Features

- Replaces 250W MH high bays
- Reduces energy consumption by 67%
- 100,000-hour LED lifespan
- 5-Year, No-Compromise Warranty

Ordering Matrix

Family	Wattage	Color Temp	Finish	Options	Other Options
BAYLED	78	N	W	/D10	
	78 = 78W 104 = 104W	Blank = 5100K Cool N = 4000K Neutral Y = 3000K Warm	W = White	Blank = No Option /BL = Bi-Level /D10 = 0-10V Dimming /LC = Lightcloud® Controller /D10/LC = 0-10V Dimming w/ Lightcloud® Controller	USA = BAA Compliant Blank = Standard