



HBHH100HQTA



JOB NAME: _____
 DATE: _____
 TYPE: _____

DESCRIPTION

Bullet design with large glare shield for effective light control. Hood with integral tempered glass lens reduces glare and protects lamp from water and impact damage. Durable one piece die cast with rugged mounting arm, weatherproof gasket and drain holes. Accepts 150 watt PAR 38 max. Lamp not supplied.

SPECIFICATIONS

Gaskets:

High temperature silicone rubber extends around both socket and lamp.

Housings:

Die cast aluminum with powder coat finish

Lamps:

Medium base PAR-38 MH lamps up to 100 watts with choice of beam spreads available. Lamp not supplied.

Sockets:

4kv pulse rated glazed porcelain with all copper current carrying components. Nickel plated screw shell and spring contacts

Swivels:

Fully adjustable with sure-grip locks. 1/2" NPS threaded arm with serrated locking swivel fits all standard mounting covers. Color matched EZ Grip lock nuts. Stainless steel screw

Color:

Bronze

UL Listing:

Suitable for wet locations. Suitable for mounting within 4 feet of the ground. Can be aimed above horizontal with accessory hood or visor.

EISA 2007 Compliant

This product complies with the new law for metal halide ballast efficiency. This law goes into effect January 1st, 2008

Lumens Per Watt:

68

Patents:

RAB sensor and fixture designs are protected under U.S. and International Intellectual Property laws.

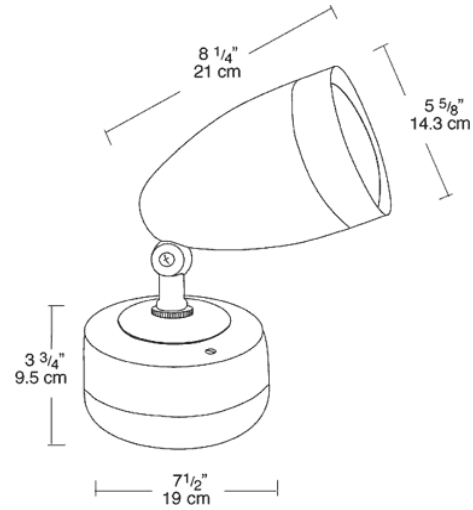
Quad Tap:

Fixture works with 120, 208, 240 and 277 volts

Weight:

9.93

DIMENSIONS



ORDERING INFORMATION

Total Watts	Lamp Type	Lamp Base	Ballast	Starting Amps/ Operating Amps				Input Watts	LAMP ANSI	Initial Lumens	Lamp Hours
				120V	208V	240V	277V				
100	PAR38	Medium	HX-HPF QT	1.2/1.2	.7/.7	.6/.6	.5/.5	129	M90	6800	

Factory Installed Options
 Add suffix to Catalog Number

Note: Specifications may change without notice