



H1HN70VA



JOB NAME: _____
 DATE: _____
 TYPE: _____

DESCRIPTION

Die cast aluminum flood for 70 and 100 watt Metal Halide. Visor with integral grill and tempered glass lens reduces glare and protects lamp from water and impact damage. Wall, soffit or ground mounted with 1/2" side and bottom conduit feed or box mount. Lamp not supplied.

SPECIFICATIONS

Gaskets:

High temperature silicone rubber extends around both socket and lamp.

Housings:

Die cast aluminum with powder coat finish

Lamps:

Medium base PAR-38 MH lamps up to 100 watts with choice of beam spreads available. Lamp not supplied.

Sockets:

4kv pulse rated glazed porcelain with all copper current carrying components. Nickel plated screw shell and spring contacts

Swivels:

Fully adjustable with sure-grip locks. 1/2" NPS threaded arm with serrated locking swivel fits all standard mounting covers. Color matched EZ Grip lock nuts. Stainless steel screw

UL Listing:

Suitable for wet locations. Suitable for mounting within 4 feet of the ground. Can be aimed above horizontal with accessory hood or visor.

Color:

Bronze

EISA 2007 Compliant

This product complies with the new law for metal halide ballast efficiency. This law goes into effect January 1st, 2008

Lumens Per Watt:

69

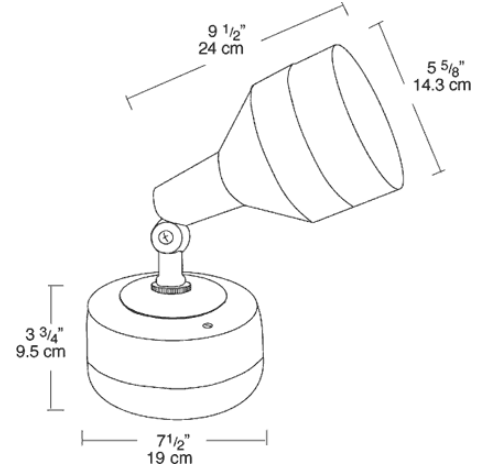
Patents:

RAB sensor and fixture designs are protected under U.S. and International Intellectual Property laws

Weight:

8.9

DIMENSIONS



ORDERING INFORMATION

Total Watts	Lamp Type	Lamp Base	Ballast	Starting Amps/ Operating Amps				Input Watts	LAMP ANSI	Initial Lumens	Lamp Hours
				120V	208V	240V	277V				
70	PAR38	Medium	HX-NPF 120V	2.5/2.1				94	M98	4800	10000

Factory Installed Options
 Add suffix to Catalog Number

Note: Specifications may change without notice

RAB Lighting, Inc. • 170 Ludlow Ave • Northvale, NJ 07647 • Tel: 888 RAB-1000 • Fax: 888 RAB-1232 • www.rabweb.com
 © 2009